

ROSEBUD 3

FINISHING & UTILITIES CONSTRUCTION DETAILS
WORKBOOK

Open Building Institute

- Kitchen
- Trim

finishing & utilities construction details workbook

ROSEBUD 3
KITCHEN

Wall Details

$\frac{1}{8}'' = 1''$

finishing & utilities construction details workbook

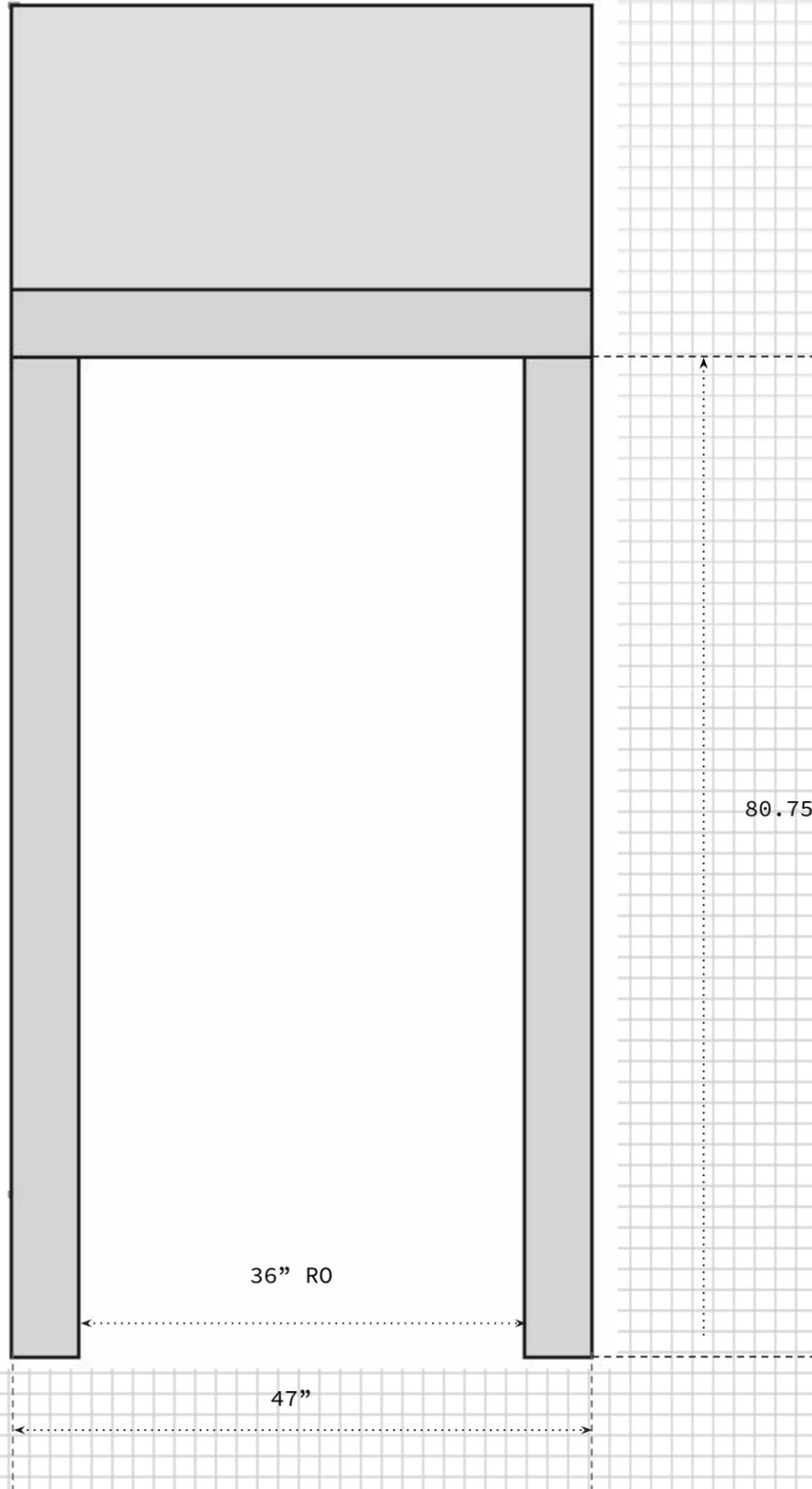
ROSEBUD 3

LAUNDRY

$$\frac{1}{8}'' = 2''$$

Outer Width = 36" (R0 for 36" bi-fold door) + 11" (2 x 5.5" trim) = 47"

Inner Width = 38.5" (enough space for a 27" washer/dryer combo + 11.5" for a shelf (to store laundry supplies))



Designer's Image 36"W x 80"H White Prefinished Pine Full Louver Bi-Fold Closet Door
Model Number: 4132209 | Menards® SKU: 4132209



EVERYDAY LOW PRICE \$139.00
11% MAIL-IN REBATE Good through 5/14/22 \$15.29
FINAL PRICE **\$123.71** each

You Save \$15.29 with Mail-In Rebate

Nominal Size: 36" x 80"

Qty: 1 **ADD TO CART**

Compare Add to Lists Add to Gift Registry

*Mail-In Rebate is in the form of merchandise credit check, valid in-store only. Merchandise credit check is not valid towards purchases made on MENARDS.COM®. [Learn More >](#)

Need more information?
[VIEW BUYING GUIDE](#)

Features

- Bi-fold design provides full closet access
- Easy installation with simple household tools
- Pine substrate with a water-based primer and white top coat
- Fully-louvered design offers exceptional ventilation
- Features a pre-painted white track for lasting operation
- Knobs are included for a complete installation
- Also includes hardware, track, and installation instructions (set of 2 panels)
- Dimensions are designed to fit a finished opening
- For 72" openings, purchase two 36" door sets (also shown)
- Nominal size: 36" W x 80" H x 1-1/8" Thick
- This item is not for sale to these states: HI, AK

INSTALLATION INSTRUCTIONS FOR 1-3/8" BIFOLD DOORS

ROUGH OPENING FOR NEW CONSTRUCTION

The construction of the rough opening for single or double bifold doors should be designed so that the opening conforms to our recommended finished opening dimensions. The finishing of the rough opening can be either a wood frame or drywall because the bifold installation hardware that comes with the bifold can be surface-mounted to either material.

RECOMMENDED FINISHED OPENING DIMENSIONS

This chart allows for a 1/8" (3.2 mm) gap at the top of the bifold and a 1/4" (6.4 mm) space on the sides of the bifold, after it has been installed. The installation hardware is adjustable so that you achieve these tolerances. It also allows for clearance over any finished floor covering. Your bifold is purchased on the basis of a nominal size which is slightly larger than the actual size of the bifold.

Standard Finished Opening Dimensions for 79" Panel Height

24" x 80-3/4"	48" x 80-3/4"
30" x 80-3/4"	60" x 80-3/4"
32" x 80-3/4"	64" x 80-3/4"
36" x 80-3/4"	72" x 80-3/4"

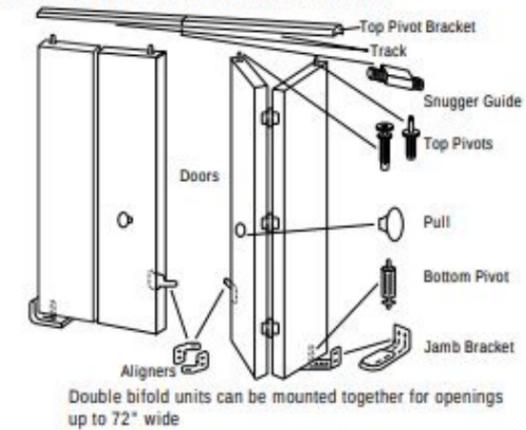
(width x height)

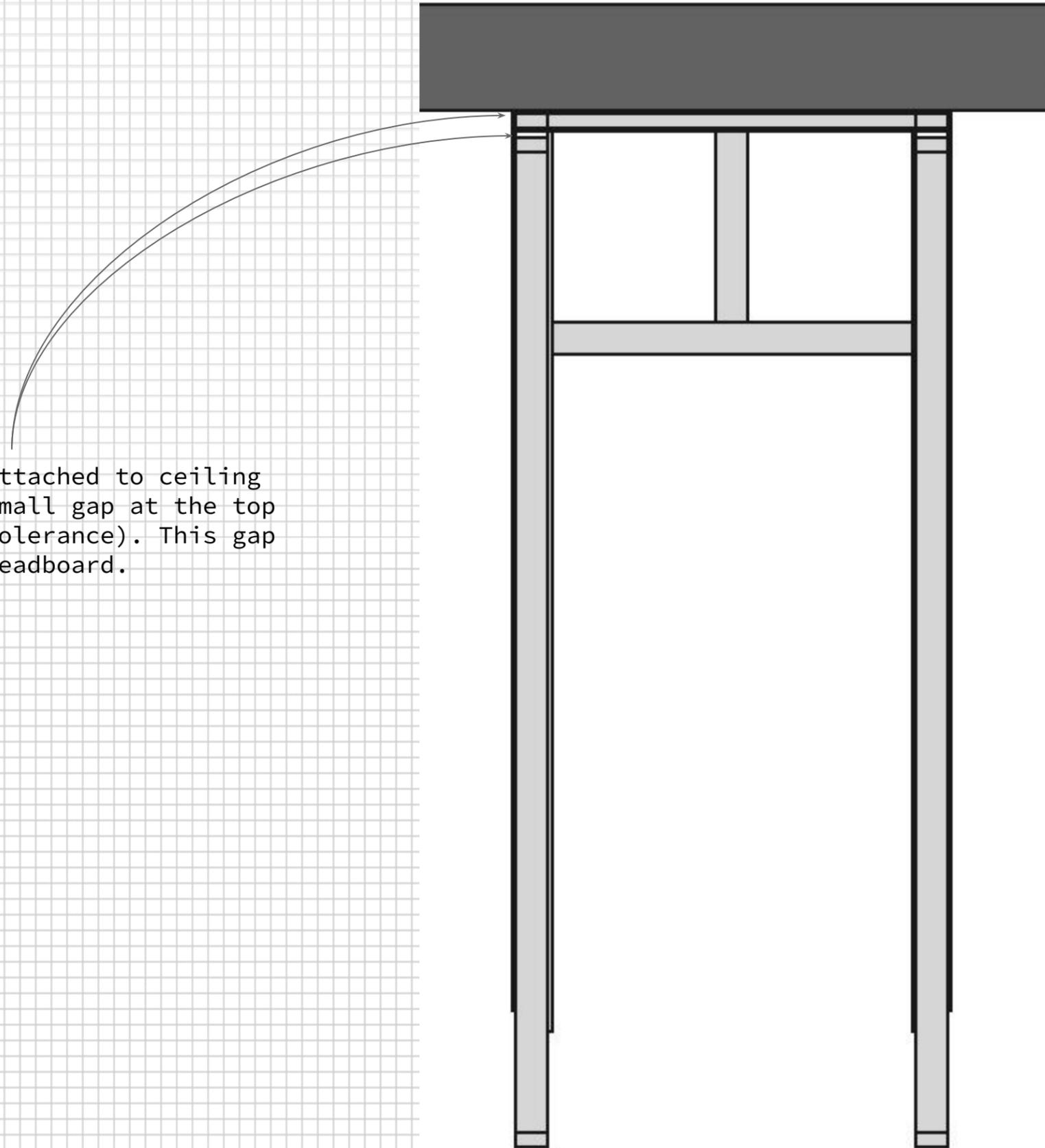
NOTE: The above chart reflects standard finished openings only. It does not indicate stock availability. Not all sizes are available in all markets as a stock item. Some sizes are only available through special order. **Use two bifold units for 48 inch, 60 inch, 64 inch, or 72 inch wide finished openings.**

EXISTING FINISHED OPENING

If your finished opening is non-standard and you cannot fit your bifold into this opening, you will need to contact the Menards store so that a custom-sized bifold can be ordered.

HARDWARE: These bifolds are hinged with 1" top track, with top pivot bracket supplied. Hardware packs containing all hardware necessary for installation are polybagged complete with instructions.



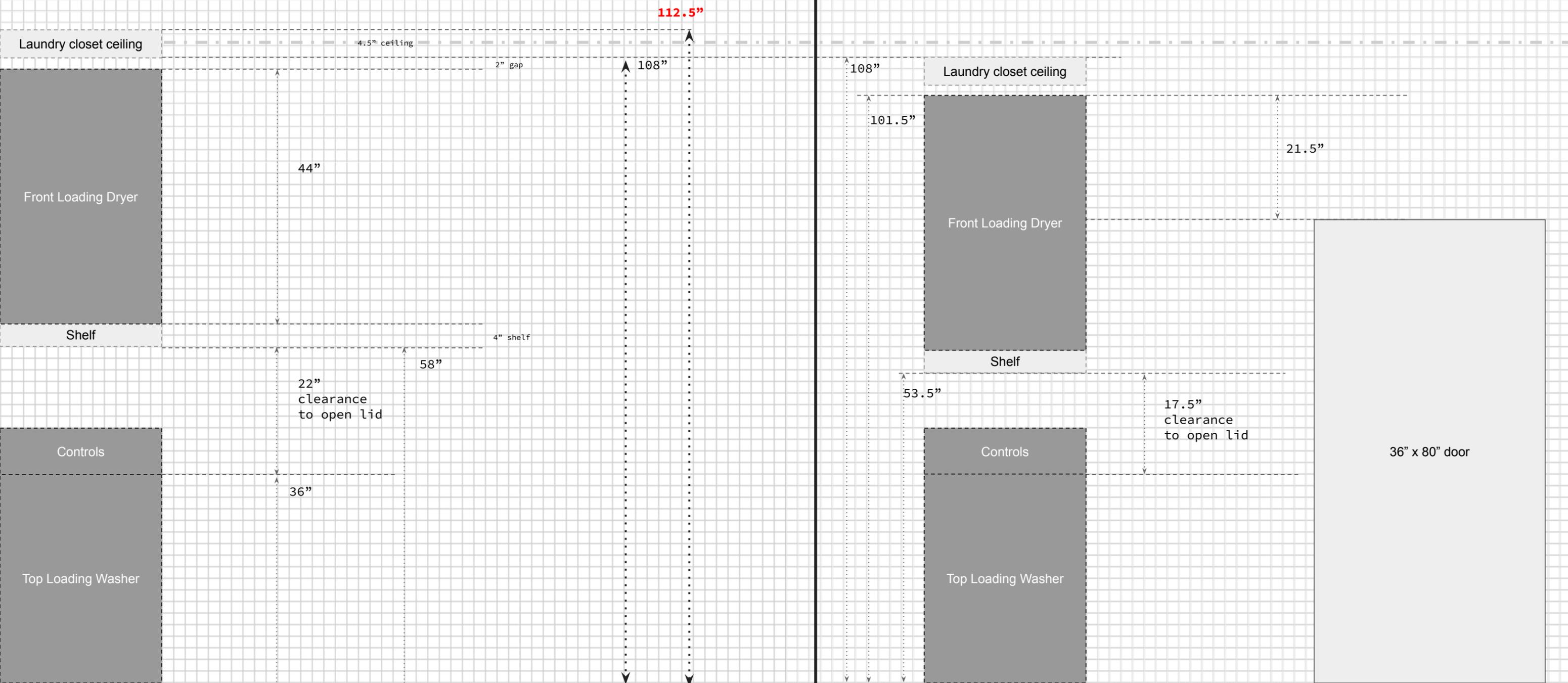


Ceiling module is attached to ceiling joists, leaving a small gap at the top of the walls (for tolerance). This gap is bridged by the beadboard.

$\frac{1}{8}'' = 2''$

Note: this layout includes maximum clearances (e.g, 22" to open top loading washer lid), but the total assembly exceeds ceiling height (which is 110 $\frac{5}{8}$ ")

Note: this layout limits the clearance above the top loading washer to 17" (53" from floor) to match ceiling height. But a standard 80" door is still too low for access to the dryer).

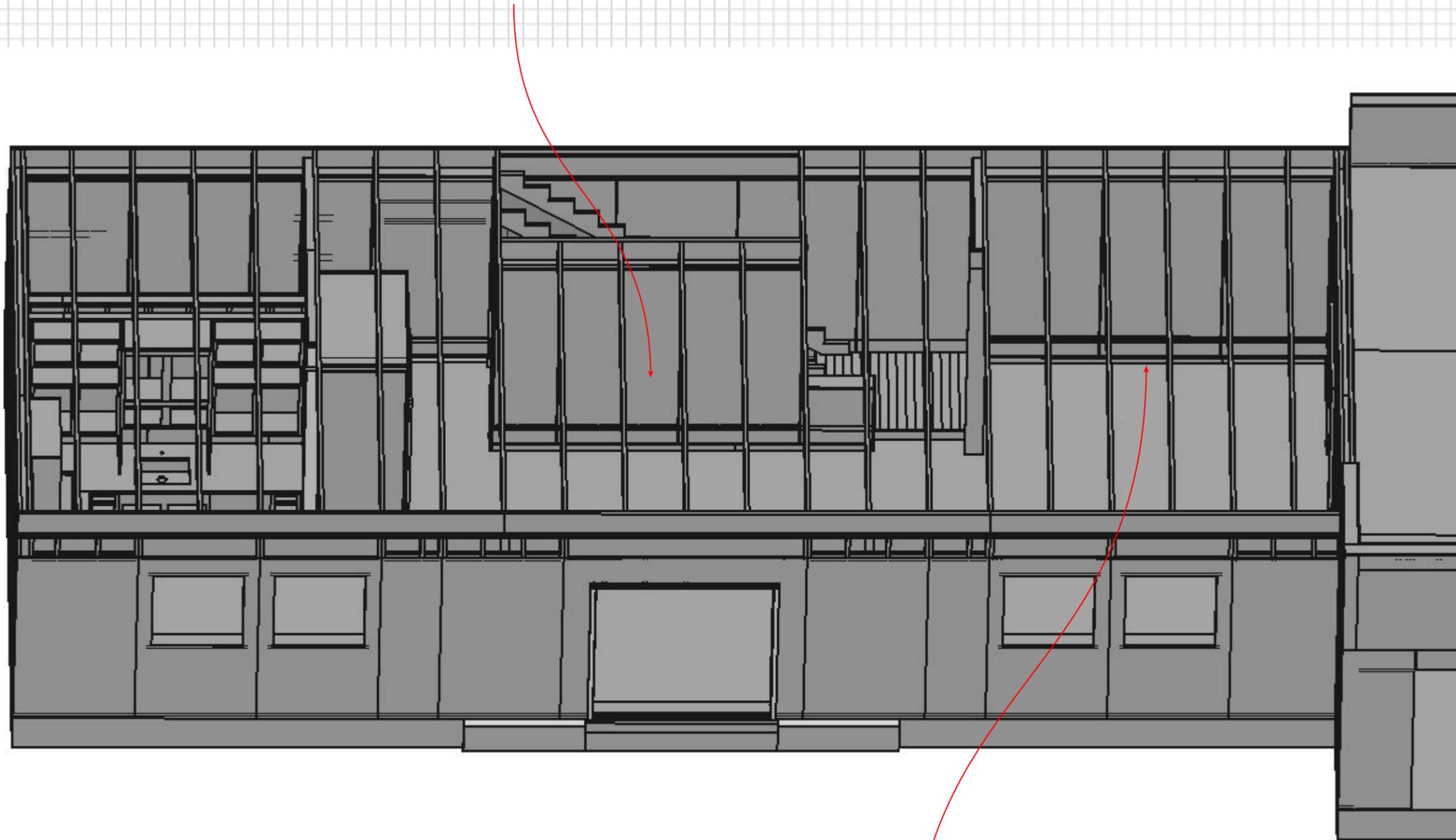


finishing & utilities construction details workbook

ROSEBUD 3

LIGHTS

1 ceiling light here - halfway between front wall and stairwell wall



1 ceiling light here - halfway between front wall and back walls