



SAP Easy Access



- Favorites
- ▼ SAP Menu
 - ▶ Office
 - ▶ Cross-Application Components
 - ▶ Logistics
 - ▶ Accounting
 - ▶ Human Resources
 - ▶ Information Systems
 - ▶ Tools
 - ▶ WebClient UI Framework

SAP Material Management
FI-CO-MM

Using OKB9 via Cost Element
to determine Cost Center + Profit Center
using **Valuation Area/Plant**
for Goods Issue Mov Type "551"
(where cost center is not entered in MB1A)

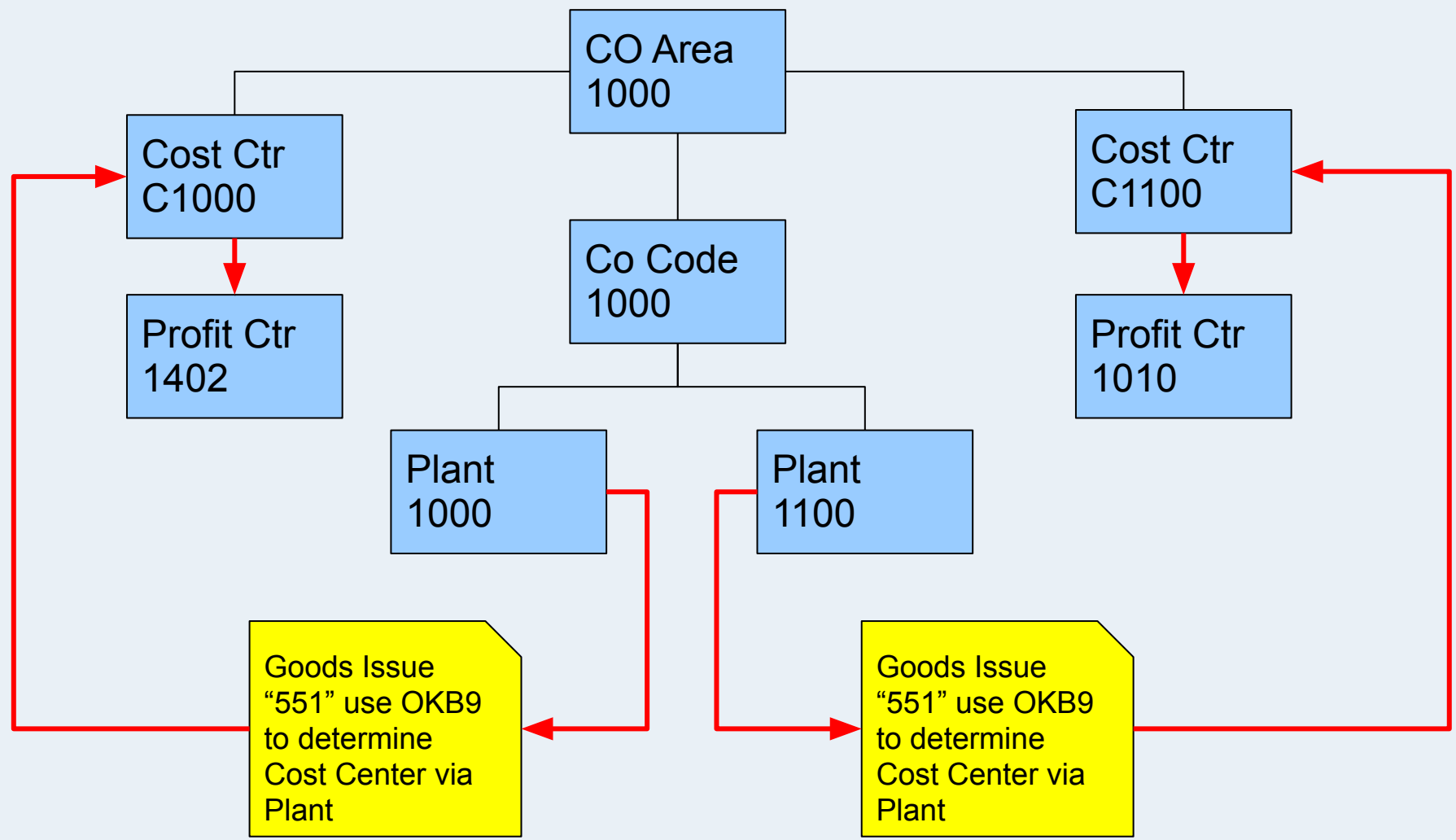


SAP

Investigating how to use OKB9 via
Valuation Area/Plant to determine cost center for
each plant/valuation area for movement type 551
(where cost center is not entered in the MIGO or
MB1A)

See graphic depiction of Org Structure next slide

SAP



Change Cost Element: Basic Screen

Cost Element: 400099 Raw Materials 1
 Controlling Area: 1000 CO Europe
 Valid From: 01.01.1997 to 31.12.9999

- Basic Data
- Indicators
- Default Acct Assgmt
- History

Names

Name: Raw Materials 1
 Description: Consumption, raw material 1

Basic Data

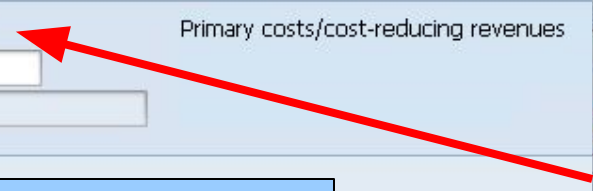
CElem category: 1 Primary costs/cost-reducing revenues
 Attribute mix:
 Functional Area:

Restrict Value Range (2) 6 Entries found

Restrictions

CEct	Description
1	Primary costs/cost-reducing revenues
3	Accrual/deferral per surcharge
4	Accrual/deferral per debit = actual
11	Revenues
12	Sales deduction
22	External settlement

6 Entries found



Cost Element 400099
 is
 NOT a REVENUE
 Cost Element
 (Expenses)

Change View "Default account assignment": Overview

Dialog Structure

- Default account assignm
 - Detail per business ar
 - Detail per profit cent

CoCd	Cost Elem.	B...	Cost Ctr	Order	Prf...	Profit Ctr	A.. Acct assignmt detail
1000	282000	<input type="checkbox"/>			<input checked="" type="checkbox"/>		
1000	282001	<input type="checkbox"/>			<input checked="" type="checkbox"/>		
1000	282500	<input type="checkbox"/>			<input checked="" type="checkbox"/>		
1000	400000	<input type="checkbox"/>	1001		<input type="checkbox"/>		3 Profit center is mandatc
1000	400001	<input type="checkbox"/>	1001		<input type="checkbox"/>		3 Profit center is mandatc
1000	400099	<input type="checkbox"/>	1000		<input type="checkbox"/>	1402	1 Valuation area is mandal
1000	417000	<input type="checkbox"/>	9030		<input type="checkbox"/>		
1000	800000	<input type="checkbox"/>			<input type="checkbox"/>	9000	
1000	801000	<input type="checkbox"/>			<input type="checkbox"/>	1000	
1000	880000	<input type="checkbox"/>	1000		<input type="checkbox"/>	9990	
1000	880099	<input type="checkbox"/>			<input checked="" type="checkbox"/>	9990	
2200	606100	<input type="checkbox"/>	1100		<input type="checkbox"/>		
2200	624200	<input type="checkbox"/>	FR-LOG		<input type="checkbox"/>		
3000	410201	<input type="checkbox"/>	4260		<input type="checkbox"/>		
3000	417000	<input type="checkbox"/>	9852		<input type="checkbox"/>		
3000	417010	<input type="checkbox"/>	9852		<input type="checkbox"/>		
3000	474231	<input type="checkbox"/>	3200		<input type="checkbox"/>		
4600	231000	<input type="checkbox"/>	1000		<input type="checkbox"/>		
4600	410000	<input type="checkbox"/>	1000		<input type="checkbox"/>		
6000	230000	<input type="checkbox"/>			<input type="checkbox"/>		
6000	231000	<input type="checkbox"/>			<input type="checkbox"/>		
6000	231001	<input type="checkbox"/>			<input type="checkbox"/>		
6000	235000	<input type="checkbox"/>			<input type="checkbox"/>		
6000	280000	<input type="checkbox"/>			<input type="checkbox"/>		
6000	281000	<input type="checkbox"/>			<input type="checkbox"/>		
6000	281001	<input type="checkbox"/>			<input type="checkbox"/>		

It does not seem possible to assign Profit Center in OKB9 and the Message is very clear that Profit Center is only allowed for Revenue CEs

Position...

Entry 27 of 114

Change View "Default account assignment": Overview

New Entries

- Dialog Structure
- Default account assignm
 - Detail per business ar
 - Detail per profit cent

CoCd	Cost Elem.	B...	Cost Ctr	Order	Prf...	Profit Ctr	A...	Acct assignmt detail
1000	282000	<input type="checkbox"/>			<input checked="" type="checkbox"/>			
1000	282001	<input type="checkbox"/>			<input checked="" type="checkbox"/>			
1000	282500	<input type="checkbox"/>			<input checked="" type="checkbox"/>			
1000	400000	<input type="checkbox"/>	1001		<input type="checkbox"/>		3	Profit center is mandatc
1000	400001	<input type="checkbox"/>	1001		<input type="checkbox"/>		3	Profit center is mandatc
1000	400099	<input type="checkbox"/>			<input type="checkbox"/>		1	Valuation area is mandat
1000	417000	<input type="checkbox"/>	9030		<input type="checkbox"/>			
1000	800000	<input type="checkbox"/>			<input type="checkbox"/>	9000		
1000	801000	<input type="checkbox"/>			<input type="checkbox"/>	1000		
1000	88	Mandatory fields for detailed account assignm...						
1000	88							
2200	60							
2200	62							
3000	41							
3000	41							
3000	41							
3000	47							
4600	23							
4600	41							
6000	235000							
6000	231000	<input type="checkbox"/>			<input checked="" type="checkbox"/>			
6000	231001	<input type="checkbox"/>			<input checked="" type="checkbox"/>			
6000	235000	<input type="checkbox"/>			<input checked="" type="checkbox"/>			
6000	280000	<input type="checkbox"/>			<input checked="" type="checkbox"/>			
6000	281000	<input type="checkbox"/>			<input checked="" type="checkbox"/>			
6000	281001	<input type="checkbox"/>			<input checked="" type="checkbox"/>			

Mandatory fields for detailed account assignm...

Acct assignmt detail	Short Descript.
1	Valuation area is mandatory
2	Business area is mandatory
3	Profit center is mandatory

3 Entries found

Set "A" (Account Assignment) to "1" (Valuation Area is Mandatory)

Position...

Entry 27 of 114

Change View "Default account assignment": Overview

New Entries [Icons]

- Dialog Structure
- Default account assignment
 - Detail per business area/valuation area
 - Detail per profit center

CoCd	Cost Elem.	B...	Cost Ctr	Order	Prf...	Profit Ctr	A..	Acct assignmt detail
1000	282000	<input type="checkbox"/>			<input checked="" type="checkbox"/>			
1000	282001	<input type="checkbox"/>			<input checked="" type="checkbox"/>			
1000	282500	<input type="checkbox"/>			<input checked="" type="checkbox"/>			
1000	400000	<input type="checkbox"/>	1001		<input type="checkbox"/>		3	Profit center is mandat
1000	400001	<input type="checkbox"/>	1001		<input type="checkbox"/>		3	Profit center is mandat
1000	400099	<input type="checkbox"/>			<input type="checkbox"/>		1	Valuation area is mandaf
1000	417000	<input type="checkbox"/>	9030		<input type="checkbox"/>			
1000	800000	<input type="checkbox"/>			<input type="checkbox"/>	9000		
		<input type="checkbox"/>			<input type="checkbox"/>	1000		
		<input type="checkbox"/>	1000		<input type="checkbox"/>	9990		
		<input type="checkbox"/>			<input checked="" type="checkbox"/>	9990		
		<input type="checkbox"/>	1100		<input type="checkbox"/>			
		<input type="checkbox"/>	FR-LOG		<input type="checkbox"/>			
		<input type="checkbox"/>	4260		<input type="checkbox"/>			
3000	417000	<input type="checkbox"/>	9852		<input type="checkbox"/>			
3000	417010	<input type="checkbox"/>	9852		<input type="checkbox"/>			
3000	474231	<input type="checkbox"/>	3200		<input type="checkbox"/>			
4600	231000	<input type="checkbox"/>	1000		<input type="checkbox"/>			
4600	410000	<input type="checkbox"/>	1000		<input type="checkbox"/>			
6000	230000	<input type="checkbox"/>			<input checked="" type="checkbox"/>			
6000	231000	<input type="checkbox"/>			<input checked="" type="checkbox"/>			
6000	231001	<input type="checkbox"/>			<input checked="" type="checkbox"/>			
6000	235000	<input type="checkbox"/>			<input checked="" type="checkbox"/>			
6000	280000	<input type="checkbox"/>			<input checked="" type="checkbox"/>			
6000	281000	<input type="checkbox"/>			<input checked="" type="checkbox"/>			
6000	281001	<input type="checkbox"/>			<input checked="" type="checkbox"/>			

Double-click this FOLDER

Position...

Entry 27 of 114

Change View "Detail per business area/valuation area": Overview

New Entries

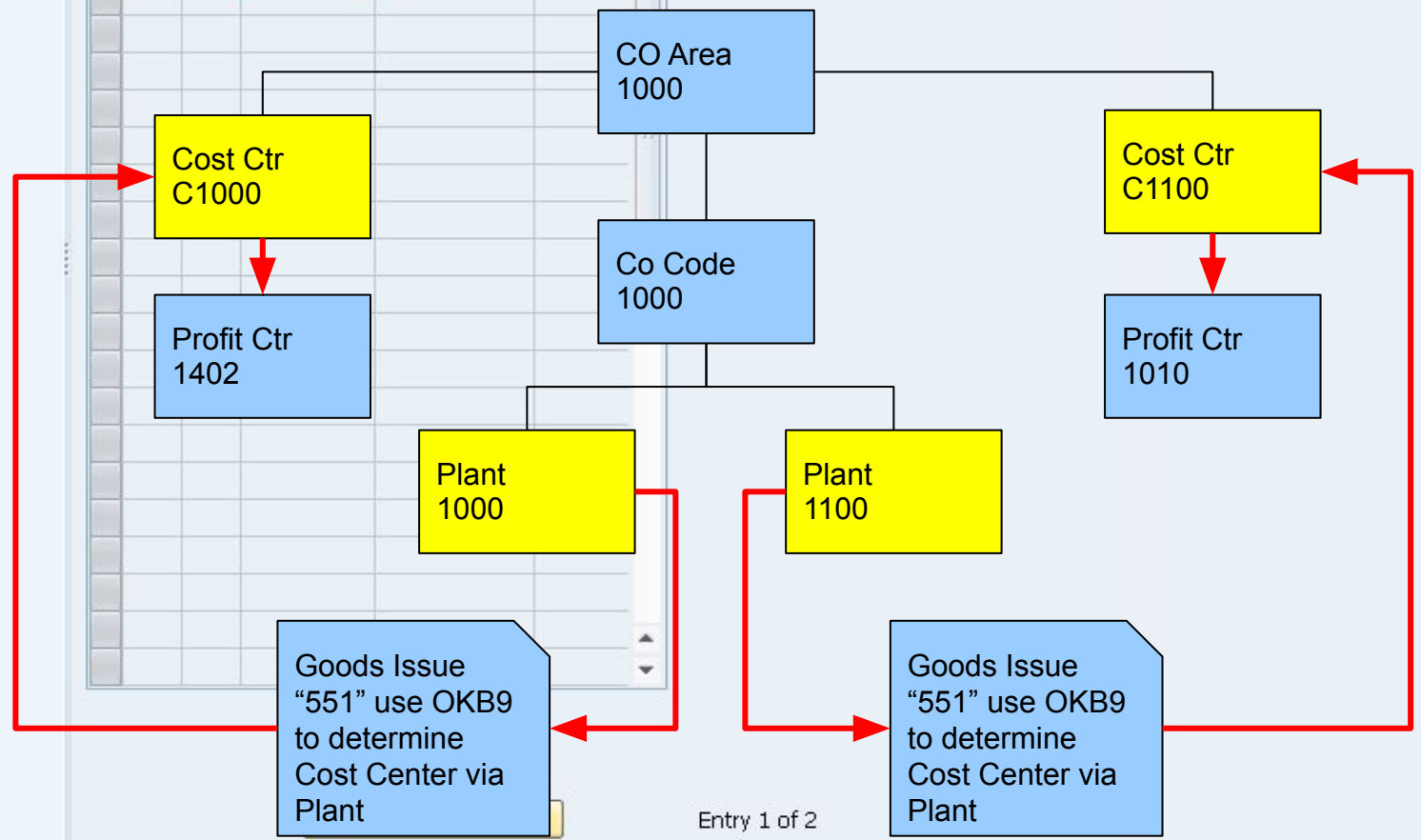
- Dialog Structure
- Default account assignment
 - Detail per business area/valuation area
 - Detail per profit center

General account assignments

CoCd	Cost Elem.	BArIn	Cost Ctr	Order
1000	400099	<input type="checkbox"/>		

Plant/VArea 1000 -> C1000
 Plant/VArea 1100 -> C1100

ValA	BusA	Cost Ctr	Order	Profit Ctr
1000		C1000		
1100		C1100		



Entry 1 of 2

Change Cost Center: Basic Screen

Drilldown

Cost Center	C1000	C1000
Controlling Area	1000	CO Europe

Valid From: 01.01.2002 to 31.12.9999

Basic data Control Templates Address Communication History

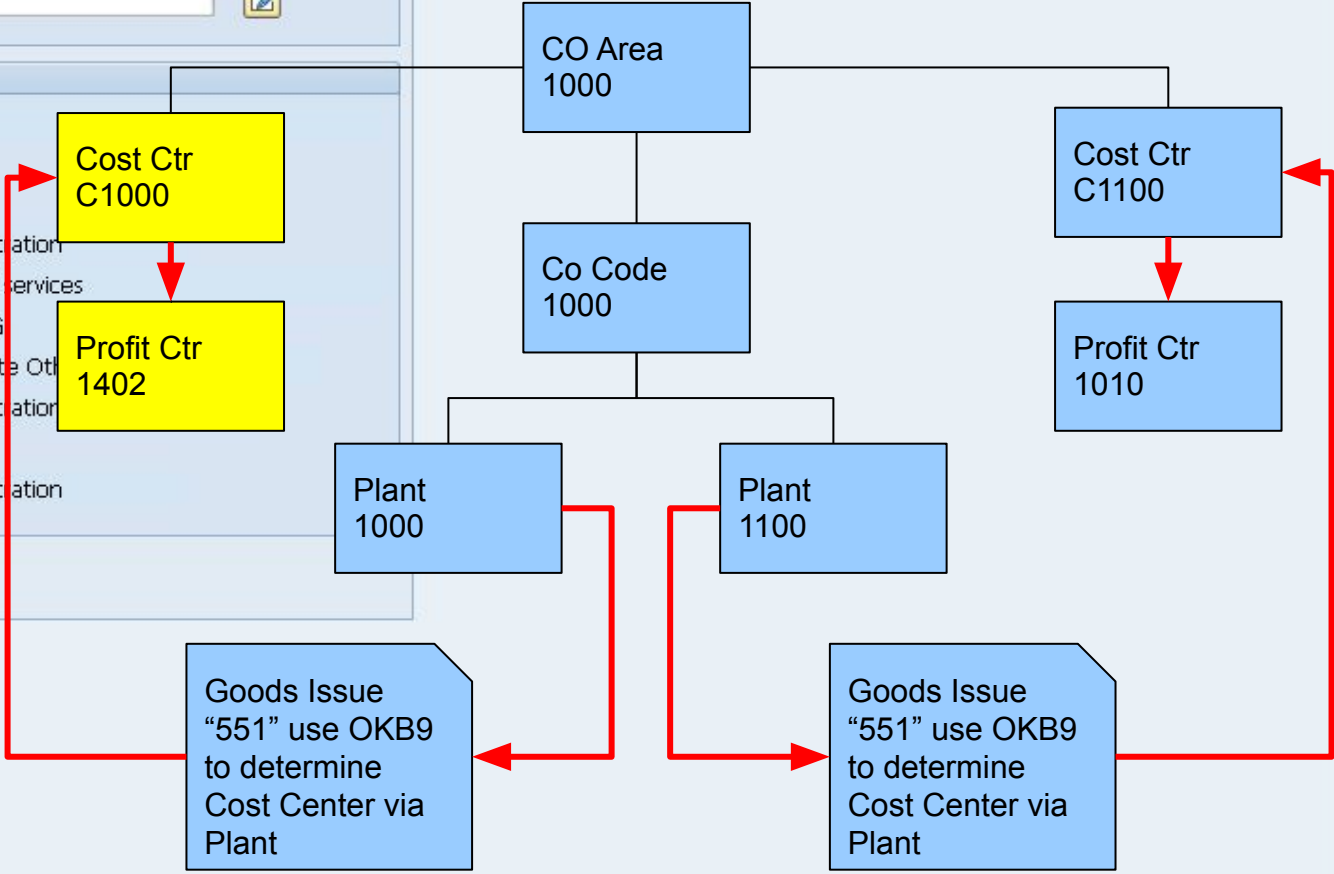
Names

Name	C1000
Description	Cost Center for Plant 1000

Basic data

User Responsible	
Person Responsible	Pfaehler
Department	Corporate
Cost Center Category	4
Hierarchy area	H1120
Company Code	1000
Business Area	9900
Functional Area	0400
Currency	EUR
Profit Center	1402

Assign Profit Center 1402 directly in Cost Center C1000 in KS02



Profit Center	1402
---------------	------

Change Cost Center: Basic Screen

Drilldown

Cost Center	C1100	C1100
Controlling Area	1000	CO Europe
Valid From	01.01.2002	to 31.12.9999

Assign Profit Center 1010 directly in Cost Center C1100 in KS02

Basic data Control Templates Address Communication History

Names	
Name	C1100
Description	Cost Center for Plant 1100
Basic data	
User Responsible	
Person Responsible	Pfaehler
Department	Corporate
Cost Center Category	4
Hierarchy area	H1120
Company Code	1000
Business Area	9900
Functional Area	0400
Currency	EUR
Profit Center	1010

Cost Ctr C1000

Profit Ctr 1402

CO Area 1000

Co Code 1000

Cost Ctr C1100

Profit Ctr 1010

Plant 1000

Plant 1100

Goods Issue "551" use OKB9 to determine Cost Center via Plant

Goods Issue "551" use OKB9 to determine Cost Center via Plant

Profit Center 1010

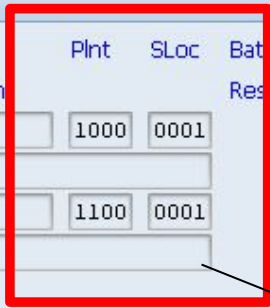
Display Material Document 4900000038 : Overview

Details from Item Material Accounting Documents...

Posting Date 25.09.2016

Name FROGGY

Item	Quantity	EU	Material	Plnt	SLoc	Batch	Re	MvT	S	S
			BUn Material Description				Reserv.No.	Itm		FIs
1	1	PC	Y5 Material Y5	1000	0001			551		-
2	1	PC	Y5 Material Y5	1100	0001			551		-



GI Same material to 2 Plants

List of Documents in Accounting

Doc. Number	Object type text
4900000034	Accounting document
1000331094	Spec. purpose ledger
0200155483	Controlling Document

Separate Original document

Check FI Doc

Display Document: Data Entry View

Display Currency General Ledger View

Data Entry View

Document Number: 4900000034 Company Code: 1000 Fiscal Year: 2016

Document Date: 25.09.2016 Posting Date: 25.09.2016 Period: 9

Reference: Cross-Comp.No.: Ledger Group: Currency: EUR

Profit Center derived from Cost Center Master

Navigation icons: search, print, etc.

Co...	Itm	PK	S	Account	Description	Σ	Amount	Curr.	T	Cost Center	BusA	Profit Center	Segment	Functional Area	Plant
1000	1	99		300000	Inventory - Raw Mate		10.00	EUR			1000	1010	MANF		1000
	2	81		400099	Consumpth, raw mat.1		10.00	EUR		C1000	9900	1402	SERV	0400	1000
	3	99		300000	Inventory - Raw Mate		10.00	EUR			1000	1010	MANF		1100
	4	81		400099	Consumpth, raw mat.1		10.00	EUR		C1100	9900	1010	MANF	0400	1100
							0.00	EUR							

Change View "Detail per business area/valuation area": Overview

- New Entries
- Dialog Structure
- Default account assignment
 - Detail per business area/valuation area
 - Detail per profit center

General account assignments

CoCd	Cost Elem.	BAIn	Cost Ctr
1000	400099	<input type="checkbox"/>	

OKB9

ValA	BusA	Cost Ctr	Order
1000		C1000	
1100		C1100	