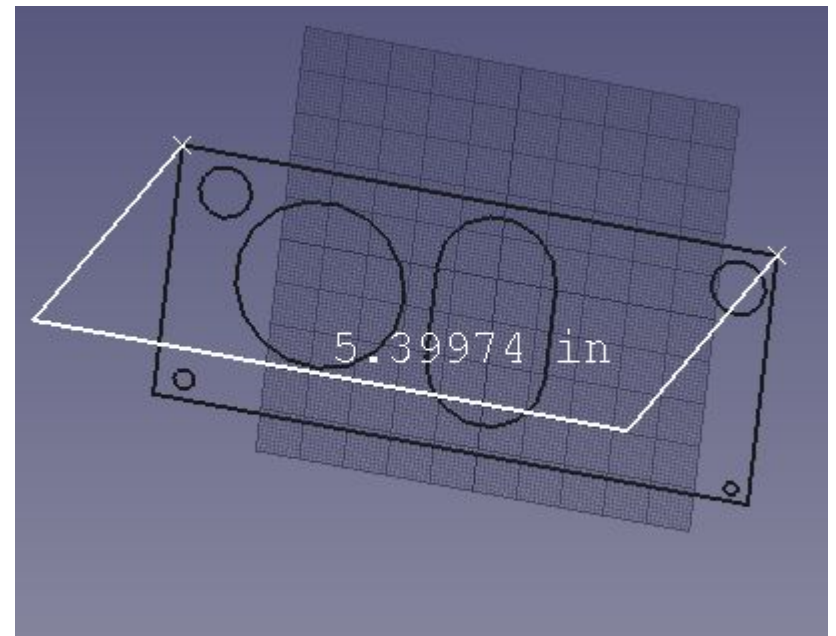
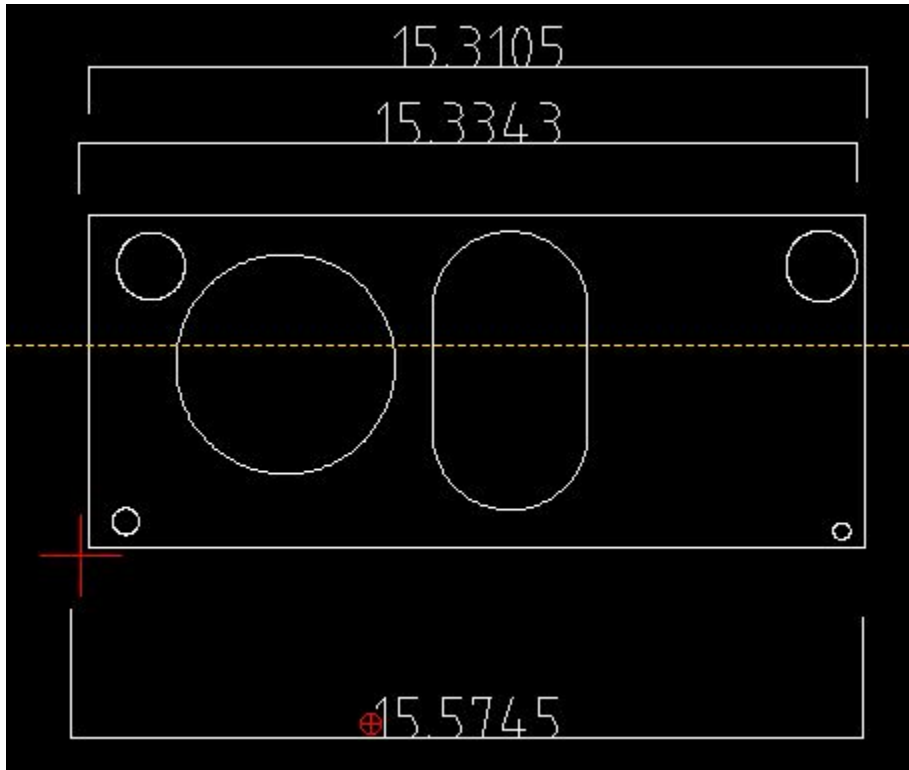


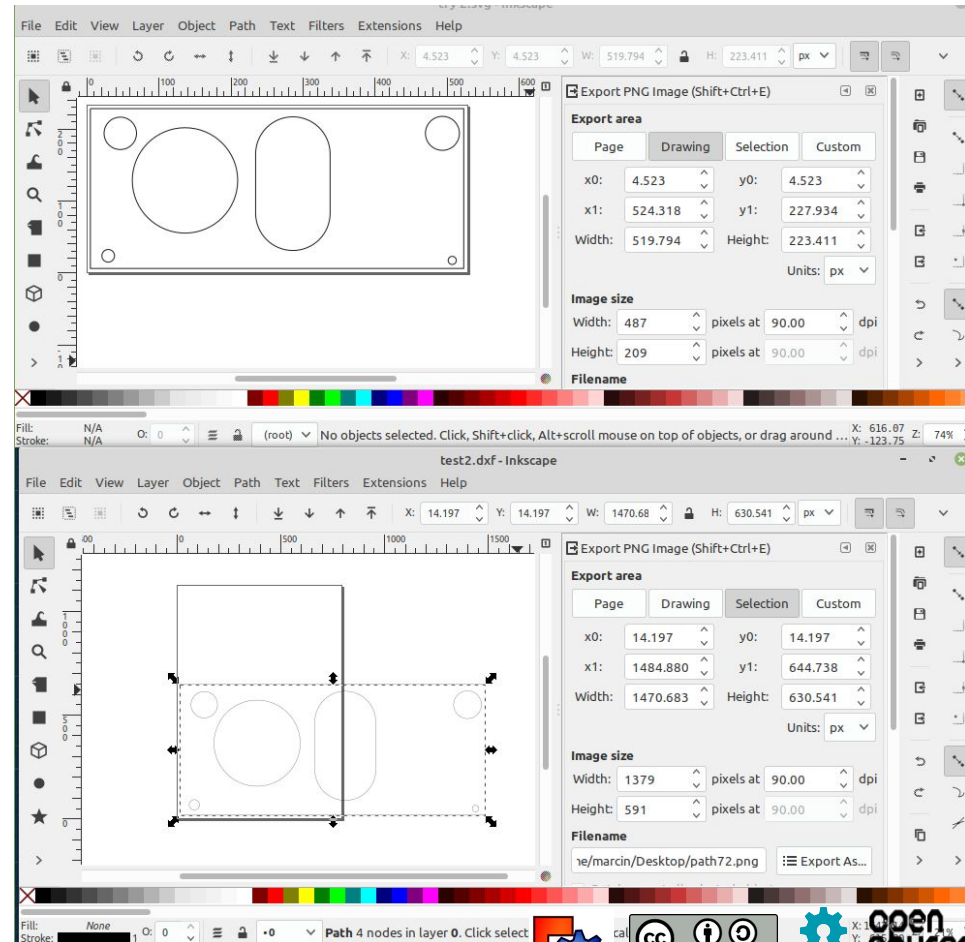
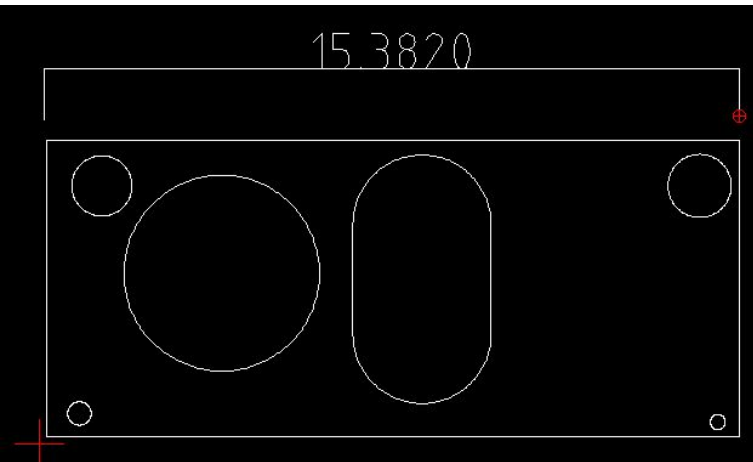
DXF Export from FreeCAD

- Process: Shape2DView in Draft gets 2d from 3d
- SVG export, open with Inkscape and save as DXF. Note there is R12 and R14 DXF, I used R14.
- Scaling Issues: units come out different in each. Units in FreeCAD and LibreCAD are inches.



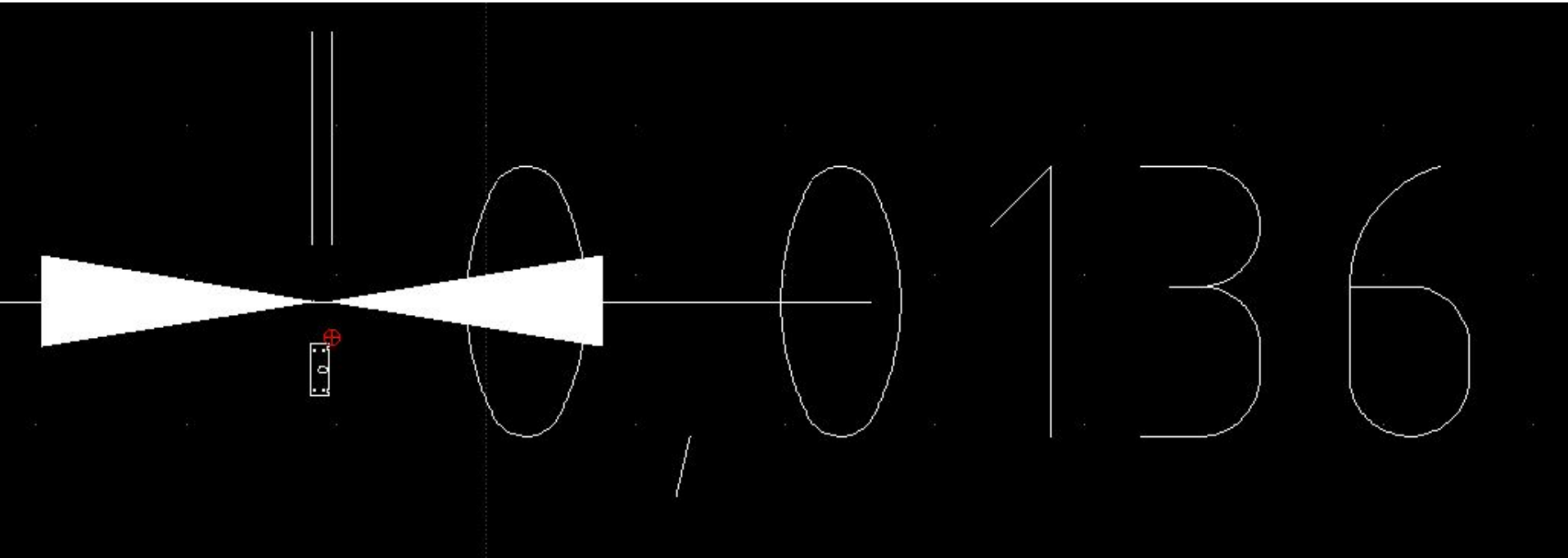
Results are Random when units in FreeCAD are Inch vs mm - no visible scaling factor

- 2.82 ratio of sizes results when import is from mm unit or inch unit in FreeCAD
- Resulting saved DXF from inkscape appears same as before
- Conclusion: WTF? This issue must be nailed, or it will be a perennial problem for in-house and outsourced flat CAM jobs



Import of 1-18 scaled.dxf

- Very small - when units are inches



- 25.4 scale factor when LibreCAD units are mm

