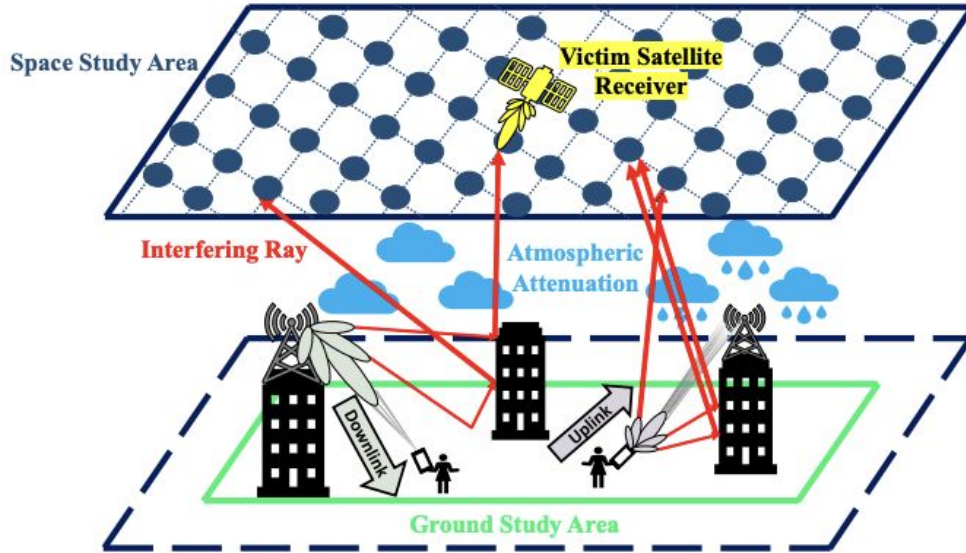


# Enabling Spectrum Coexistence of 5G mmWave and Passive Weather Sensing

---

By Despoina Kosmopoulou, John Allen Manego, and Mark Moroney

# Experiment Overview

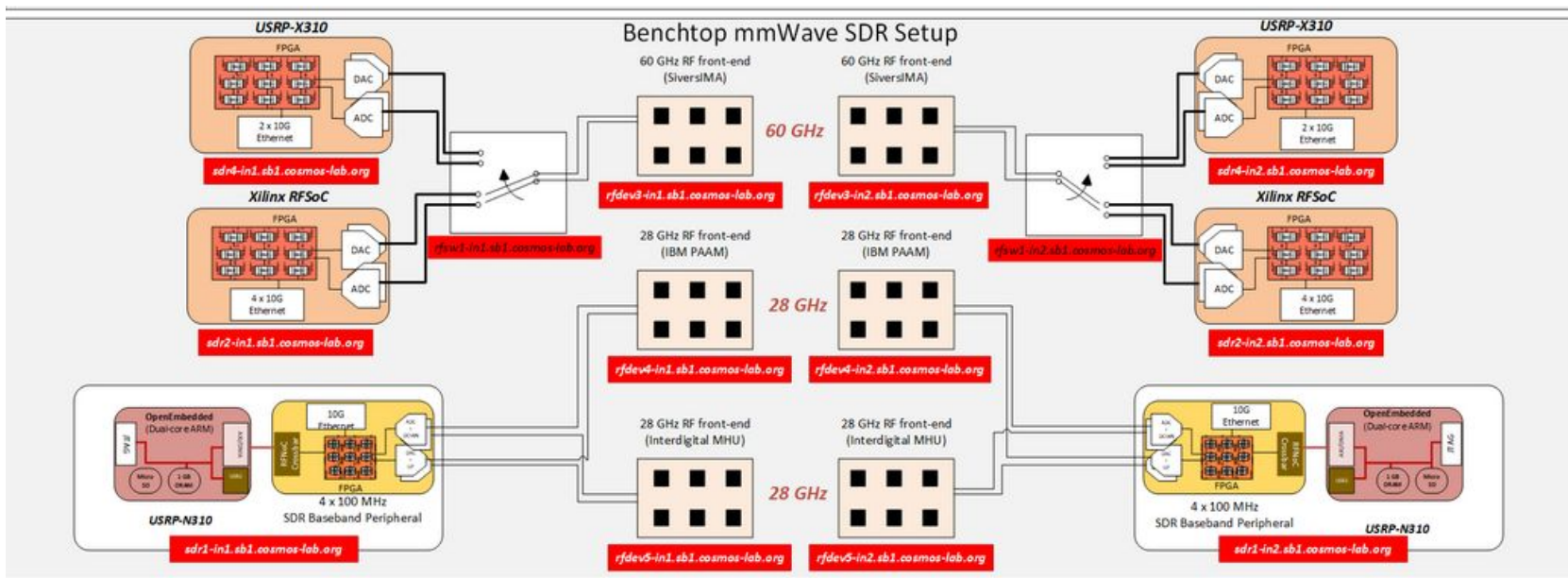


- 5G band is very close to the weather band
- Create a Pipeline
- Radio Frequency Interference can cause error in weather prediction



# This week's progress

- Transmitted simple one-tone signals
- Getting familiar with GNURadio and Sandbox 1 (cosmos environment)



## Goals for Next week

- Continue developing custom Python blocks for GNURadio
- Measure the oscillator drift for various carrier frequencies
- Noise floor characterization

