

Automotive repair manuals - Every Manuals

Every Manuals

2078 W Century Blvd, Los Angeles, CA 90047,
USA

[Every Manuals](#)

[Every Manuals](#)

[Every Manuals](#)

[Every Manuals](#)

[Every Manuals](#)

[Every Manuals USA](#)

[Every Manuals](#)






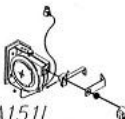
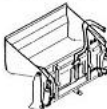











[Car manuals - Every Manuals](#)

[Car service repair manuals - Every Manuals](#)

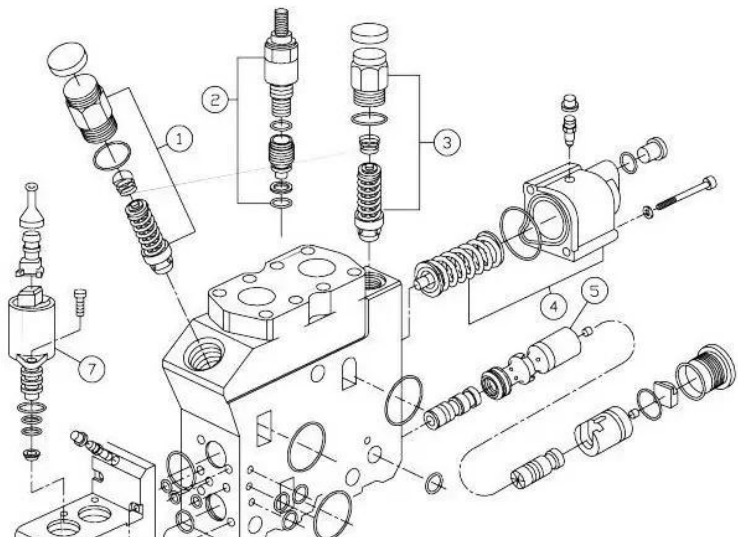
[Car repair and workshop manuals - Every Manuals](#)

[Car repair manuals online - Every Manuals](#)

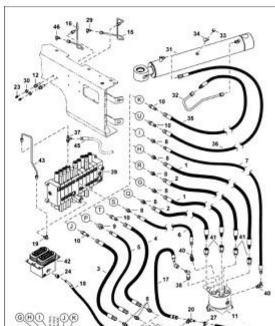
MERLO MASTER ERSATZTEILKATALOG ANBAUGERÄTE UND OPTIONEN AB SAV 500001

 A010A	 A130A	 A140 - A141A LT.500 LT.700	 A142 - A143A LT.400 LT.600	 A150A
 A151H	 A160A	 A170 LT.800	 A180 LT.1250	 A181A
 A270A	 A300	 A310	 A320A	 A330
 A340	 A350	 A360		OPTIONEN V020 - V360

Main Control Valve – Stick Section Inspection



Title: Hydraulic Circuitry (Upper/Swing)(Slew Motor)
 Model Number: E35
 Serial Number: B3WZ11001 & Above



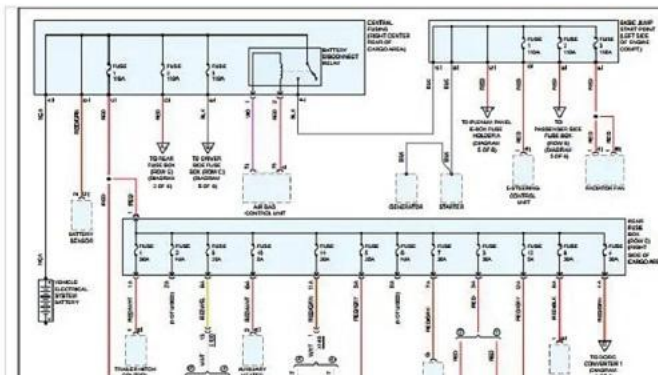
Title: Hydraulic Circuitry (Upper/Swing)(Slew Motor)
 Model Number: E35
 Serial Number: B3WZ11001 & Above

Ref.	Part Number	Description	S/	Qty
1	7164945	HOSE HYDRAULIC ASSY	N	2
2	7164946	HOSE HYDRAULIC ASSY	N	2
3	7181885	HOSE HYDRAULIC ASSY		1
4	7185230	HOSE HYDRAULIC ASSY		1
5	7185231	HOSE HYDRAULIC ASSY		1
6	7181904	HOSE HYDRAULIC ASSY		1
7	7181903	HOSE HYDRAULIC ASSY		1
8	15K80606	FITTING, HYD CONNECTOR		10
8	79K6	O-RING	X	
9	16K80610	FITTING HYDRAULIC CONNECTOR, Was 15K80610		1
9	79K10	O-RING	X	
10	16K80606	FITTING, HYD CONNECTOR		4
10	79K6	O-RING	X	
11		SWIVEL, HYD ASSY, SWIVEL, HYD ASSY, See Illustration, - W/O angle blade		1
11		SWIVEL, HYD ASSY, SWIVEL, HYD ASSY, See Illustration, W/ Angle blade		1
12	6807184	FITTING		2
13	7008929	FILTER OIL HYDRAULIC ASSEMBLY		1

Model Y Collision Repair Procedures

- ✓ General Information
- ✓ Recent Changes In This Manual
- ✓ General Repair Guidelines
- ✓ Approved Parts, Tools, and Supplies
- ✓ Part Repairability Guidelines
- ✓ Reference Information
- ✓ Body Side Panels
- ✓ Center Under Body Panels
- ✓ Front Inner Panels
- ✓ Rear End Panels
- ✓ Rear Quarter Inner Panels
- ✓ Rear Under Body - 1 Piece Casting
- ✓ Rear Under Body - 2 Piece Casting
- ✓ Roof Panels

Model Y Collision Repair Procedures



Model Y Service Manual



© 2023 Tesla, Inc.

Benefits of Utilizing Every Manuals for Car Manuals

Choosing Every Manuals for your car manuals unlocks a multitude of advantages:

- Wide Range of Coverage:** Find manuals for a vast array of car makes and models, from popular vehicles to classic cars and even imported options.
- Multiple Formats:** Choose from digital and physical formats, catering to your learning preferences and access needs.
- Cost-Effective Solutions:** Many manuals on Every Manuals are free or offered at affordable prices, making essential car care information accessible to everyone.
- Searchable and Up-to-Date:** Utilize the search function to access specific information quickly and effortlessly. Furthermore, online manuals are often updated more frequently than their paper counterparts, ensuring you have access to the latest information.



Automotive repair manuals - Every Manuals

Keeping your car running smoothly requires more than just routine maintenance. Whether you're a seasoned gearhead or a curious DIYer, understanding your vehicle's inner workings and tackling minor repairs can be both rewarding and cost-effective. Enter the world of automotive repair manuals, your key to unlocking the secrets behind your car's operation and performing repairs with confidence. Every Manuals stands as your comprehensive resource for all things automotive repair manuals, empowering you to navigate the world of car care with knowledge and self-reliance.

Why Choose Automotive Repair Manuals?

Automotive repair manuals offer a wealth of information, including:

Step-by-step repair procedures: Detailed instructions guide you through the repair process, often accompanied by

[Car manuals online - Every Manuals](#)

[Automotive repair manuals - Every Manuals](#)

[Forklift owner manuals - Every Manuals](#)

[Car owner's manuals online - Every Manuals](#)

[Crane repair manual - Every Manuals](#)

https://bit.ly/434DScT#every_manuals

https://bit.ly/4cbRPtZ#every_manuals

https://bit.ly/3Tm25Zb#every_manuals

https://bit.ly/3v0WQ7B#every_manuals

https://bit.ly/3V1vYit#every_manuals

https://bit.ly/3T1t62p#every_manuals_usa

https://bit.ly/4bRNwDT#every_manuals

https://bit.ly/3uLKyAa#car_service_repair_manuals_every_manuals

https://bit.ly/3wC766V#car_repair_and_workshop_manuals_every_manuals

https://bit.ly/3SWkDxH#car_repair_manuals_online_every_manuals

https://bit.ly/3uIot5y#car_manuals_online_every_manuals

https://bit.ly/4bZ6EzD#automotive_repair_manuals_every_manuals

https://bit.ly/3wCEBGI#forklift_owner_manuals_every_manuals

https://bit.ly/3wCEBWR#car_owner_s_manuals_online_every_manuals

https://bit.ly/4bQgKCW#crane_repair_manual_every_manuals

Follow our other social media pages:

<https://sites.google.com/view/everymanuals>

<https://www.youtube.com/@everymanuals/about>

<https://twitter.com/everymanuals>

<https://www.pearltrees.com/everymanuals>

<https://band.us/band/91679536>

<https://everymanuals.webflow.io/>

<https://www.blogger.com/profile/08586548105984840586>

<https://everymanuals.mystrikingly.com/>

<https://www.pinterest.com/everymanuals/>

<https://www.linkedin.com/in/everymanuals/>

<https://everymanuals.webflow.io/>

<https://everymanuals.weebly.com/>

<https://everymanuals.blogspot.com/>

<https://www.scoop.it/u/everymanuals-com-gmail-com>

<https://www.everymanuals.com/>

https://drive.google.com/drive/folders/1gNQoTRkn6tX1xAQ7LrPE-Rc8FW1nAL_R

https://docs.google.com/spreadsheets/d/10boBKw_JgsJHVYsQTRsYPQepezC0nd2KutcOixCzRzs/edit?usp=drivesdk

<https://drive.google.com/drive/folders/1zCVX0J2CS0759wXPCr2SRrjfiNhSkmh4>

<https://sites.google.com/view/everymanuals>

<https://www.google.com/maps/d/edit?mid=1UVBBC4NDGr4Mfq6D0l0s1iuPU3L4A-M&usp=sharing>

<https://www.scoop.it/topic/auto-repair-manual-pdf/p/4151335008/2024/03/02/everymanuals-auto-repair-manual-pdf>

<https://www.youtube.com/watch?v=OqRO4yeSrTo>

<https://twitter.com/everymanuals/status/1763662245974680039>

<https://www.pearltrees.com/everymanuals/item579401643>

<https://band.us/band/91679536/post/81>

<https://everymanuals.webflow.io/post/car-repair-manuals>

<https://everymanuals.weebly.com/blog/toyota-repair-manuals>

<https://everymanuals.blogspot.com/2024/03/crane-service-manual.html>

<https://everymanuals.mystrikingly.com/blog/construction-machinery-manuals>

<https://everymanualscom.wixsite.com/everymanuals/post/guide-to-heavy-equipment-maintenance>

<https://everymanuals.s3.us-east-005.backblazeb2.com/tractor-repair-manual.html>

Follow our other locations pages:

<https://bit.ly/3TkL15R>

<https://bit.ly/3v0of9K>

<https://bit.ly/3TjlQ2e>

<https://bit.ly/3uSoELy>

<https://bit.ly/3Tjmeio>

Follow our other latest pages:

https://docs.google.com/spreadsheets/u/0/d/10boBKw_JgsJHVYsQTRsYPQepezC0nd2KutcOixCzRzs/pub

<https://docs.google.com/document/u/0/d/12c7wcEYxo7PIW1132H-EJwpS1L8maT4LY5cqtuCEGsQ/pub>

https://docs.google.com/document/u/0/d/1BA7DSZM_yFiZOPGhwNP0Ogr8qU9qpHQ_ZjXcSn5D28/pub

https://docs.google.com/document/u/0/d/1xcNWw-8ggad71VZ_FO64swAyrvI3WnOd-FHkK4dBUfK/pub

<https://docs.google.com/document/u/0/d/1tXrvuYtUsesA43HaNZM58Z7GRLB7URlrwZIVnuGPvVg/pub>

https://docs.google.com/document/u/0/d/15lIqQhrP5LPc5C_6Hi_GtKNL-fC7aut155wE1G4Ci4/pub

https://docs.google.com/spreadsheets/u/0/d/1fwoonMNfd8I3uPrazexdjGnleZtphTHqbKQ650_Fzwx/pub

<https://docs.google.com/presentation/d/1NkM9vyTnKA242A6tMHj0GaNBjgy5T5v1Jt-CZvPnEqI/pub?start=false&loop=false&delays=3000&slide=id.p>

https://docs.google.com/forms/d/e/1FAIpQLScmvW_IFQjijmCWTUvNRHT8uz5qWO_v2gOblznR-cfixsssrPQ/viewform

https://docs.google.com/document/u/0/d/1fKy-GeWdBEICT04YLZC3z36k6daqhf9_AE2HSCnVITI/pub

https://docs.google.com/document/u/0/d/1QK1wuyUdVb2LzbH6mSzV-Pdk_Z9I3Gz99RDuEtta_q0/pub

<https://docs.google.com/document/u/0/d/1d-PFrfEKfMkDM5oPx8UVKvX5xjz4w-YrvMSHNobsfMw/pub>

<https://docs.google.com/document/u/0/d/1kjMWS-wrwSmQG9S511NKPUKA4dzXRwhiMv0AKNNunEw/pub>

<https://docs.google.com/document/u/0/d/1vrkx3pfQWF6Wc6PfAi9CQ8xud8KcgyalSKZp7hvywrg/pub>

<https://docs.google.com/document/u/0/d/1iwCy6EYtNt06N2q4OSxrURc4fuHr81J7xPia8x1iWtE/pub>

<https://docs.google.com/document/u/0/d/1mYLh6CK-uBi4bQJPOVBtaOQ1k6l3fCgh2r3PMGMdXtQ/pub>

<https://docs.google.com/document/u/0/d/1C9-xZ-Y-uNAhCCn5f8zOEcNhJwZYrrrbL3z69ZZ5-3g/pub>

https://docs.google.com/document/u/0/d/1WiC3a60f7YlrznVeyKrSNSVxOZ8QN2P_PNCz65i2hGE/pub

https://docs.google.com/document/u/0/d/131dTahaJzr_G6BejpW0SO7WLWLH3McfJ59WZrT1W0Zc/pub

<https://docs.google.com/document/u/0/d/1hSjRRMVIUEaDH5pJLzDaaE5Gm78gpsCLtMx5pAFnbA/pub>

<https://docs.google.com/document/u/0/d/1X12yla1-kdpR-aANFawOMRIUU8Eb6uQU7FHwY65ZJAq/pub>

<https://docs.google.com/document/u/0/d/1QkxG8YO1rkNrqmSsAW-5srkxw1bQwO-RwAtmZ3woLmc/pub>

https://docs.google.com/document/u/0/d/1LnP3owi6LoO7sTyadVsHgARwIF7rxul5Sz_LYtd_Axl/pub

https://docs.google.com/document/u/0/d/1ua7k_Llf-I3GvI7wMIXFoZi4VjLNexJRiPBHR-CJ0eE/pub

Follow other information pages of Every Manuals:

https://bit.ly/434DScT#every_manuals

https://bit.ly/4cbRPtZ#every_manuals

https://bit.ly/3Tm25Zb#every_manuals

https://bit.ly/3v0WQ7B#every_manuals

https://bit.ly/3V1vYit#every_manuals

https://bit.ly/3T1t62p#every_manuals_usa

https://bit.ly/4bRNwDT#every_manuals

https://bit.ly/3wDqQgM#car_manuals_every_manuals

https://bit.ly/3uLKyAa#car_service_repair_manuals_every_manuals

https://bit.ly/3wC766V#car_repair_and_workshop_manuals_every_manuals

https://bit.ly/3SWkDxH#car_repair_manuals_online_every_manuals

https://bit.ly/3SUdaz4#online_car_service_and_repair_manuals_every_manuals

https://bit.ly/3V2jasm#free_car_service_manuals_every_manuals

https://bit.ly/3SYoFW7#toyota_car_manuals_every_manuals

https://bit.ly/3T2SoNX#car_owner_s_manual_every_manuals

https://bit.ly/4c156oQ#forklift_manual_every_manuals

https://bit.ly/3uLot5y#car_manuals_online_every_manuals

https://bit.ly/4bZ6EzD#automotive_repair_manuals_every_manuals

https://bit.ly/3wCEBGI#forklift_owner_manuals_every_manuals

https://bit.ly/3wCEBWR#car_owner_s_manuals_online_every_manuals

https://bit.ly/4bQgKcW#crane_repair_manual_every_manuals

https://bit.ly/3TiC8td#grove_crane_parts_manual_every_manuals

https://bit.ly/3UVuuGB#maintenance_manual_crane_every_manuals

https://bit.ly/4bUmbAN#crane_parts_manual_every_manuals

https://bit.ly/4c9pFjc#forklift_trucks_service_manual_every_manuals

https://bit.ly/3uK3LIP#service_manuals_for_cranes_every_manuals

https://bit.ly/4bWTOIC#car_repair_manuals_every_manuals

https://bit.ly/3TkhIFV#toyota_repair_manuals_every_manuals

https://bit.ly/4bVb8HJ#crane_service_manual_every_manuals

https://bit.ly/3Thif60#construction_machinery_manuals_every_manuals

https://bit.ly/3TiXDdx#guide_to_heavy_equipment_maintenance_every_manuals

https://bit.ly/4bRNA6B#tractor_repair_manual_every_manuals

https://bit.ly/3TiX10P#heavy_construction_manuals_every_manuals

https://bit.ly/3SZWQNd#heavy_equipment_operation_manual_every_manuals

https://bit.ly/3TiXMO7#heavy_equipment_service_manual_every_manuals

https://bit.ly/3UWJmEJ#heavy_equipment_manual_every_manuals

https://bit.ly/3TiXPcl#heavy_construction_handbook_every_manuals

https://bit.ly/3SZWVAv#forklift_training_manual_every_manuals

https://bit.ly/4bRNDPP#heavy_construction_improvement_guide_every_manuals

https://bit.ly/4bRNEDn#online_service_manuals_every_manuals

https://bit.ly/3T38aYW#heavy_construction_books_online_every_manuals

https://bit.ly/3V0FzWH#construction_manual_every_manuals
https://bit.ly/3UZ01Y4#electric_forklift_truck_manual_every_manuals
https://bit.ly/3V4rgAz#heavy_equipment_guide_every_manuals
https://bit.ly/3V0gyLi#construction_manual_heavy_lifting_every_manuals
https://bit.ly/3V020eU#guide_to_heavy_equipment_field_every_manuals
https://bit.ly/3Tiw8Rf#repair_manuals_online_every_manuals
https://bit.ly/3Tk8nsg#auto_repair_manuals_every_manuals
https://bit.ly/3V6vKXD#vehicle_repair_guides_pdf_every_manuals
https://bit.ly/3UVuvu9#car_service_and_repair_manuals_every_manuals
https://bit.ly/3T2r8Pm#manuals_for_every_car_every_manuals
https://bit.ly/3UXHg7l#repair_manuals_for_car_every_manuals
https://bit.ly/3ThifTy#auto_repair_manuals_online_every_manuals
https://bit.ly/3TjIPvc#auto_service_and_repair_manuals_every_manuals
https://bit.ly/3T38cQy#manual_cars_guide_every_manuals
https://bit.ly/3uKrNgt#vehicle_owner_manuals_every_manuals

https://bit.ly/3T38ffc#car_repair_manuals_pdf_every_manuals
https://bit.ly/3Tn9Fmo#vehicle_repair_manuals_every_manuals
https://bit.ly/3T38gzM#automotive_wiring_diagrams_pdf_every_manuals
https://bit.ly/3V166mV#automotive_electrical_repair_manual_pdf_every_manuals
https://bit.ly/3V343Pq#mercedes_repair_manual_pdf_every_manuals
https://bit.ly/3wEsvfN#toyota_workshop_manual_pdf_every_manuals
https://bit.ly/3SWkFWl#toyota_repair_manual_pdf_every_manuals
https://bit.ly/3Tk8qnW#car_repair_manual_pdf_every_manuals
https://bit.ly/3UZ04TK#repair_manual_pdf_every_manuals
https://bit.ly/3UZ05XO#ford_repair_manual_every_manuals
https://bit.ly/3TipeeV#automobile_repair_documents_every_manuals
https://bit.ly/3uQzaD3#hyundai_repair_manual_every_manuals
https://bit.ly/4bXqjQu#forklift_manual_illustrations_every_manuals
https://bit.ly/3Tk6Ng8#the_repair_manual_online_every_manuals
https://bit.ly/4c08aS2#tractor_manuals_every_manuals
https://bit.ly/3T2Sq8x#farm_manuals_every_manuals
https://bit.ly/3SYJxg6#tractor_maintenance_manual_every_manuals
https://bit.ly/3TI1uHc#agriculture_equipment_manuals_every_manuals
https://bit.ly/4bVvnoC#agriculture_repair_manuals_every_manuals

Follow other information pages of Every Manuals:

[Every Manuals](#)

[Every Manuals](#)

[Every Manuals](#)

[Every Manuals](#)

[Every Manuals](#)

[Every Manuals USA](#)

[Every Manuals](#)

[Car manuals - Every Manuals](#)

[Car service repair manuals - Every Manuals](#)

[Car repair and workshop manuals - Every Manuals](#)

[Car repair manuals online - Every Manuals](#)

[Online car service and repair manuals - Every Manuals](#)

[Free car service manuals - Every Manuals](#)

[Toyota car manuals - Every Manuals](#)

[Car owner's manual - Every Manuals](#)

[Forklift manual - Every Manuals](#)

[Car manuals online - Every Manuals](#)

[Automotive repair manuals - Every Manuals](#)

[Forklift owner manuals - Every Manuals](#)

[Car owner's manuals online - Every Manuals](#)

[Crane repair manual - Every Manuals](#)

[Grove crane parts manual - Every Manuals](#)

[Maintenance manual crane - Every Manuals](#)

[Crane parts manual - Every Manuals](#)

[Forklift trucks service manual - Every Manuals](#)

[Service manuals for cranes - Every Manuals](#)

[Car repair manuals - Every Manuals](#)

[Toyota repair manuals - Every Manuals](#)

[Crane service manual - Every Manuals](#)

[Construction machinery manuals - Every Manuals](#)

[Guide to heavy equipment maintenance - Every Manuals](#)

[Tractor repair manual - Every Manuals](#)

[Heavy construction manuals - Every Manuals](#)

[Heavy equipment operation manual - Every Manuals](#)

[Heavy equipment service manual - Every Manuals](#)

[Heavy equipment manual - Every Manuals](#)

[Heavy construction handbook - Every Manuals](#)

[Forklift training manual - Every Manuals](#)

[Heavy construction improvement guide - Every Manuals](#)

[Online service manuals - Every Manuals](#)

[Heavy construction books online - Every Manuals](#)

[Construction manual - Every Manuals](#)

[Electric forklift truck manual - Every Manuals](#)

[Heavy equipment guide - Every Manuals](#)

[Construction manual heavy lifting - Every Manuals](#)

[Guide to heavy equipment field - Every Manuals](#)

[Repair manuals online - Every Manuals](#)

[Auto repair manuals - Every Manuals](#)

[Vehicle repair guides pdf - Every Manuals](#)

[Car service and repair manuals - Every Manuals](#)

[Manuals for every car - Every Manuals](#)

[Repair manuals for car - Every Manuals](#)
[Auto repair manuals online - Every Manuals](#)
[Auto service and repair manuals - Every Manuals](#)
[Manual cars guide - Every Manuals](#)
[Vehicle owner manuals - Every Manuals](#)
[Car repair manuals pdf - Every Manuals](#)
[Vehicle repair manuals - Every Manuals](#)
[Automotive wiring diagrams pdf - Every Manuals](#)
[Automotive electrical repair manual pdf - Every Manuals](#)
[Mercedes repair manual pdf - Every Manuals](#)
[Toyota workshop manual pdf - Every Manuals](#)
[Toyota repair manual pdf - Every Manuals](#)
[Car repair manual pdf - Every Manuals](#)
[Repair manual pdf - Every Manuals](#)
[Ford repair manual - Every Manuals](#)
[Automobile repair documents - Every Manuals](#)
[Hyundai repair manual - Every Manuals](#)
[Forklift manual illustrations - Every Manuals](#)
[The repair manual online - Every Manuals](#)
[Tractor manuals - Every Manuals](#)
[Farm manuals - Every Manuals](#)
[Tractor maintenance manual - Every Manuals](#)
[Agriculture equipment manuals - Every Manuals](#)
[Agriculture repair manuals - Every Manuals](#)