

INTERIOR FINISHING : FIXTURES
KITCHEN

Open Building Institute

TABLE OF CONTENTS

- Cabinet Finishing
 - Stain : Base Cabinets & Trim
 - Paint: Wall Cabinets & Trim
 - Custom Cabinet Assemblies
 - 12" Base Cabinet
 - Sink Base Cabinet
 - Cooktop Base Cabinet
 - Range Hood Cabinet
 - Water Heater Cabinet
- Countertop Finishing
- Installation

STAIN

BASE CABINETS & TRIM

TIME LOG for Kitchen Base Cabinets (4 cabinets)

CABINET FINISHING:

- Cabinet Prep + Sanding: 2 hours
- 1st Coat of Stain: 2 hours
- 2nd Coat of Stain: 1 hour
- 3rd Coat of Stain: 45 minutes
- Sand and Stain Door Backs:
- Reassemble:

CABINET INSTALL:

CABINET FINISHING : STAIN : MATERIALS

CABINETS & ACCESSORIES

- (1) 12" x 34-1/2" Unfinished Oak Kitchen Base Cabinet
- (2) 36" x 34-1/2" Unfinished Oak Sink/Cooktop Kitchen Base Cabinet
- (1) 36" x 34-1/2" Unfinished Oak Blind Kitchen Corner Base Cabinet with Drawer

BOARDS

- (1) 1 x 2 x 3' Red Oak Board (spacer for 12" base cabinet)
- (1) 1 x 3 x 3' Red Oak Board (spacer for cooktop base cabinet)
- (1) 1 x 4 x 3' Red Oak Board (spacer for cooktop base cabinet)
- (1) 1 x 4 x 10' Red Oak Board (trim board for top and bottom of range hood cabinet assembly)
- (2) 1 x 4 x 1' Select Pine Boards (cut ends from other projects) or 1 x 4 x 4' Select Pine Board (range hood mounting frame - sides)
- (1) 1 x 3 x 4' Select Pine Board (range hood mounting frame - front)
- (2) 1 x 12 x 6' Quality Pine Board (top and bottom of open cabinets)
- (2) 1 x 16 x 8' Edge-Glued Pine Board (sides of water heater cabinet)
- (2) 1 x 16 x 6' Edge-Glued Pine Board (shelves and top of water heater cabinet)
- (2) 96" x 4-1/2" Unfinished Oak Cabinet Toe Kick
- (3) 1/4 x 1 x 4 Unfinished Hardwood Reversible Fluted Moulding (front trim of water heater cabinet)

OTHER MATERIALS

- (1) gallon Minwax Oil-Based Stain - in Special Walnut
- (1) 2" chip brush
- 120 grit, 80 grit sandpaper and sander
- Scrap cardboard and drop cloths

CABINET FINISHING : STAIN : SAND FRONT OF CABINETS & TRIM BOARDS

1. Follow the [Cabinet Prep Procedure](#) to prepare base cabinets for staining
2. Follow the [Sanding Wood Cabinets Procedure](#) - [Sanding Prior to Staining a Dark Color](#) using 120 grit sandpaper on:
 - The face frames (including inside edges), doors and drawer fronts of the cabinets [previously listed](#)
 - 1 edge of (1) [1 x 2 x 3' Red Oak Board](#)
 - 1 face and 2 edges of (1) [1 x 4 x 10' Red Oak Board](#)
 - 1 face each of
 - (1) [1 x 3 x 3' Red Oak Board](#)
 - (1) [1 x 4 x 3' Red Oak Board](#)
 - (1) [1 x 4 x 4' Select Pine Board](#)
 - (1) [1 x 3 x 4' Select Pine Board](#)
 - (2) [1 x 12 x 6' Quality Pine Board](#)
 - 2 faces of:
 - (2) [1 x 16 x 8' Edge-Glued Pine Board](#)
 - 2 faces and 2 edges of:
 - (2) [1 x 16 x 6' Edge-Glued Pine Board](#)
 - 1 face of:
 - (2)
 - Do not sand the (3) [1/4 x 1 x 4 fluted trim](#) nor the [96" x 4-1/2" Unfinished Oak Cabinet Toe Kick](#)

CABINET FINISHING : STAIN : APPLY STAIN

1. Review the [Staining Guidelines](#)
2. Follow the [Masking Cabinets Procedure](#) to prepare the [base cabinets previously listed](#)
3. Follow the [Stirring Stain Procedure](#) on a 1 gallon can of [Minwax Oil-Based Stain - in Special Walnut](#)
4. Follow the [Staining Oak Cabinet Chocolate Brown Procedure](#) to stain [all the kitchen base cabinets and all the trim boards previously listed](#) (don't forget to [sand and stain the backs of the cabinet doors](#))
5. Follow the [Staining the Backs of Wood Cabinet Doors Procedure](#) to finish the back sides of the cabinets' doors
6. Follow the [Cabinet Reassembly Procedure](#) on all the stained cabinets.
7. Jump to [Cabinet Custom Assemblies Section](#) to cut and install spacers on the [12" Base Cabinet](#) and one of the 36" Base Sink Cabinets.



PAINT

WALL CABINETS & TRIM

TIME LOG for Kitchen Wall Cabinets Finishing (6 cabinets)

- Cabinet Prep: 45 minutes (remove cardboard, label, remove doors, clean up staples)

CABINET FINISHING : WALL CABINETS : MATERIALS & CUT LIST

CABINETS

- (2) 36" x 30" Unfinished Oak Kitchen Wall Cabinets
- (2) 36" x 15" Unfinished Oak Over-an-Appliance Kitchen Wall Cabinets
- (1) 30" x 30" Unfinished Oak Kitchen Wall Cabinet
- (1) 30" x 15" Unfinished Oak Over-an-Appliance Kitchen Wall Cabinet
- (2) 16" x 28" Unfinished Oak Recessed Panel Kitchen Cabinet Doors
- (2) 16" x 13" Unfinished Oak Kitchen Cabinet Doors
- (3) 12" x 30" Unfinished Oak Kitchen Wall Cabinet Panels

BOARDS

- (3) 1 x 2 x 8 Primed Pine Board (face frame of above sink cabinet + open cabinets)
- (1) 1 x 3 x 8 Primed Pine Board (face frame of above sink cabinet + open cabinets)
- (1) 1 x 4 x 8 primed Pine Board (face frame of above sink cabinet + open cabinets)

OTHER MATERIALS

- 220 grit sandpaper and sander
- (1) gallon Zinsser FastPrime Interior Oil-Based Primer & Sealer
- (2) gallons Pittsburgh Ultra Interior/Exterior Latex High-Gloss Super White Paint & Primer
- (1) 2" foam roller + (4) paint roller covers
- (1) paint tray + (2) liners
- Scrap cardboard and drop cloths

CABINETRY FINISHING : PAINT : SAND FRONT OF CABINETS & TRIM BOARDS

1. Follow the [Cabinet Prep Procedure](#) to prepare wall cabinets for painting
2. Follow the [Sanding Wood Cabinets Procedure](#) - [Sanding Prior to Painting](#) using 220 grit sandpaper on:
 - Face frames (including all edges) of all cabinets [previously listed](#)
 - All cabinet doors [previously listed](#)
 - **Do not sand the [cabinet side panels](#)**
 - **Do not sand any primed trim boards** (they are ready to paint)

CABINETRY FINISHING : PAINT : PRIME & PAINT CABINET BOXES

1. Follow the [Masking Cabinets Procedure](#) to prepare the wall cabinets for painting
2. Follow the [Painting Wood Cabinet Boxes with a Roller Procedure](#) to paint all the wall cabinet boxes
3. Follow the [Painting Wood Cabinet Doors and Trim with a Sprayer Procedure](#) to paint all the wall cabinet doors and trim
4. Follow the [Staining the Backs of Wood Cabinet Doors Procedure](#) to finish the back sides of the cabinets' doors
5. Follow the [Cabinet Reassembly Procedure](#) on all the stained cabinets.
6. Jump to the Custom Cabinet Assemblies Section to finish:
 - a. [12" Base Cabinet](#)
 - b. [Sink Base Cabinet](#)
 - c. [Cooktop Base Cabinet](#)

CUSTOM CABINET ASSEMBLIES

BASE CABINETS: COOKTOP CABINET + 12" BASE CABINET + SINK CABINET

ALL CABINETS: WATER HEATER CABINET + RANGE HOOD ALL CABINET

TIME LOG for custom cabinet assemblies (3 cabinets)

-

CUSTOM CABINET ASSEMBLIES
12" BASE CABINET

CABINET FINISHING : CUSTOM ASSEMBLIES: BASE CABINETS : 12" CABINET

MATERIALS:

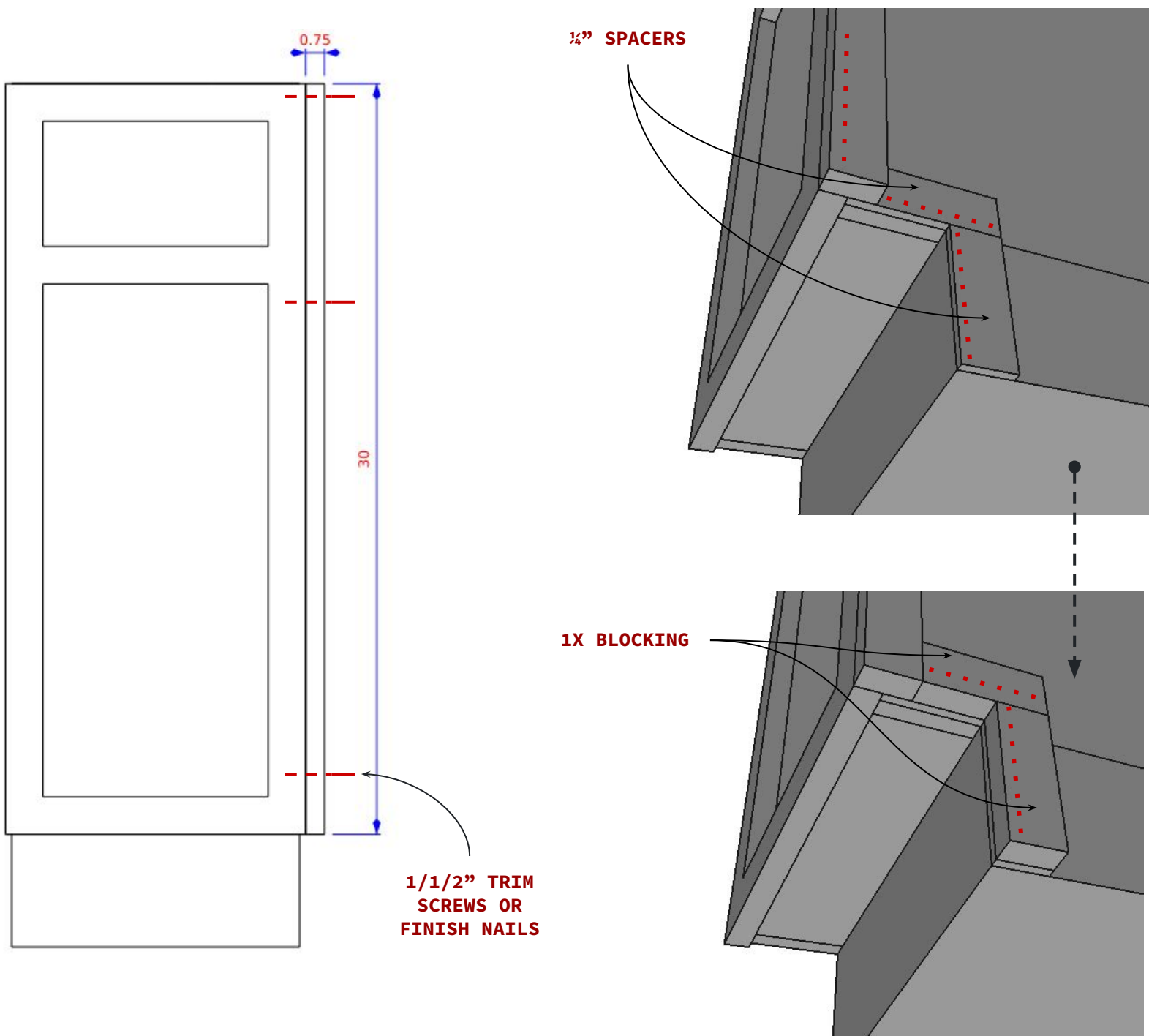
- (1) 12" base cabinet - previously stained
- (1) 1 x 2 x 3' red oak board - previously stained
- (2) scraps of a ¼" thick material - to be used as spacers
- (2) short lengths of 1x2 or other 1x board - to be used as blocking
- 1-½" trim screws or finish nails.

CUT LIST:

- Cut the previously stained 1 x 2 x 3' Red Oak Board to 30" long

CABINET FINISHING : CUSTOM ASSEMBLIES: BASE CABINETS : 12" CABINET

1. **Attach the 1 x 2 x 30" board to the right side of the 12" single base cabinet** - with the narrow stained edge facing forward - using 1-1/2" trim screws or nails through the first 3/4" of the board (see red dotted lines below for location of screws/nails).
2. **Finish blocking off the bottom of the cabinet** using a combination of 1/4" material with 1x2s (or any other 1x). This blocking will not be visible, it doesn't need to be stained.



CUSTOM CABINET ASSEMBLIES
SINK BASE CABINET

CABINET FINISHING : CUSTOM ASSEMBLIES: BASE CABINETS : SINK CABINET

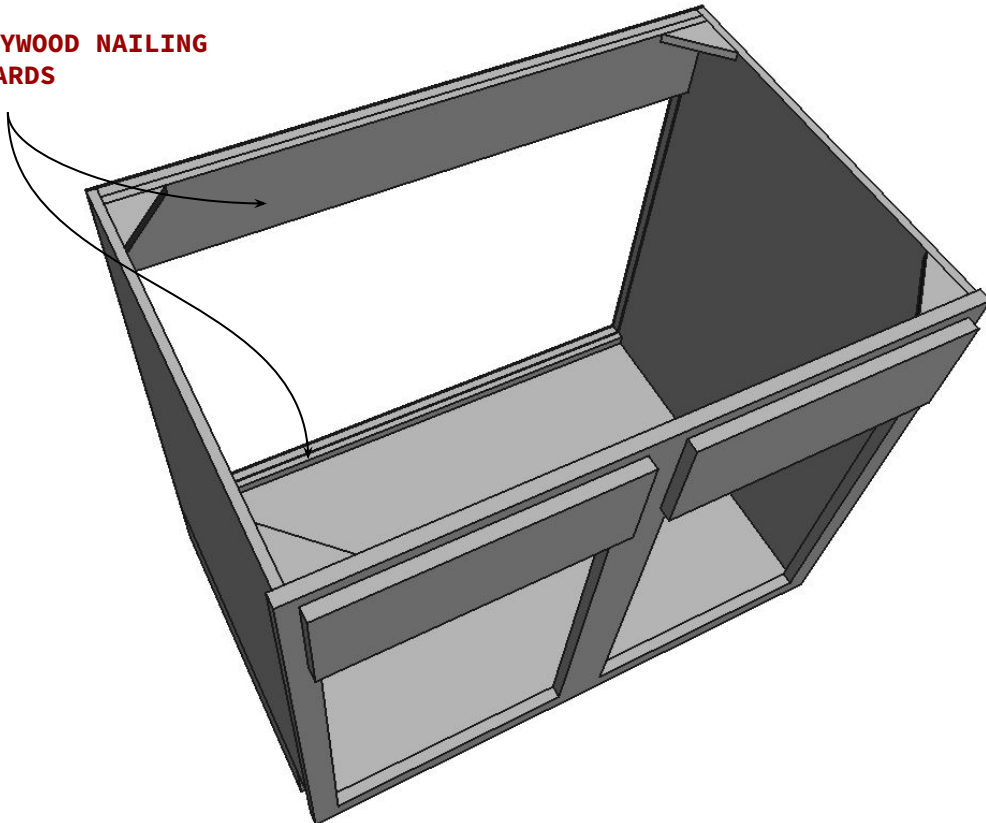
MATERIALS:

- (1) 36" sink base cabinet (sink base cabinets have false drawers) - previously stained

Cut out the back of the sink base cabinet:

Use a router to cut out the backer board of the sink base cabinet. Do not cut the plywood nailing boards at the top and bottom.

**DON'T CUT PLYWOOD NAILING
BOARDS**



CUSTOM CABINET ASSEMBLIES
COOKTOP BASE CABINET

PROJECT BOOK : MAYSVILLE 1.3K 2022-23 : INTERIOR FINISHING : FIXTURES : KITCHEN

CABINET FINISHING : CUSTOM ASSEMBLIES: BASE CABINETS : COOKTOP CABINET

MATERIALS:

- (1) 36" sink base cabinet (sink base cabinets have false drawers) - previously stained
- (1) 1 x 3 x 3' red oak board - previously stained
- (1) 1 x 4 x 3' red oak board - previously stained
- 2" trim screws or finish nails
- 3" construction screws or nails

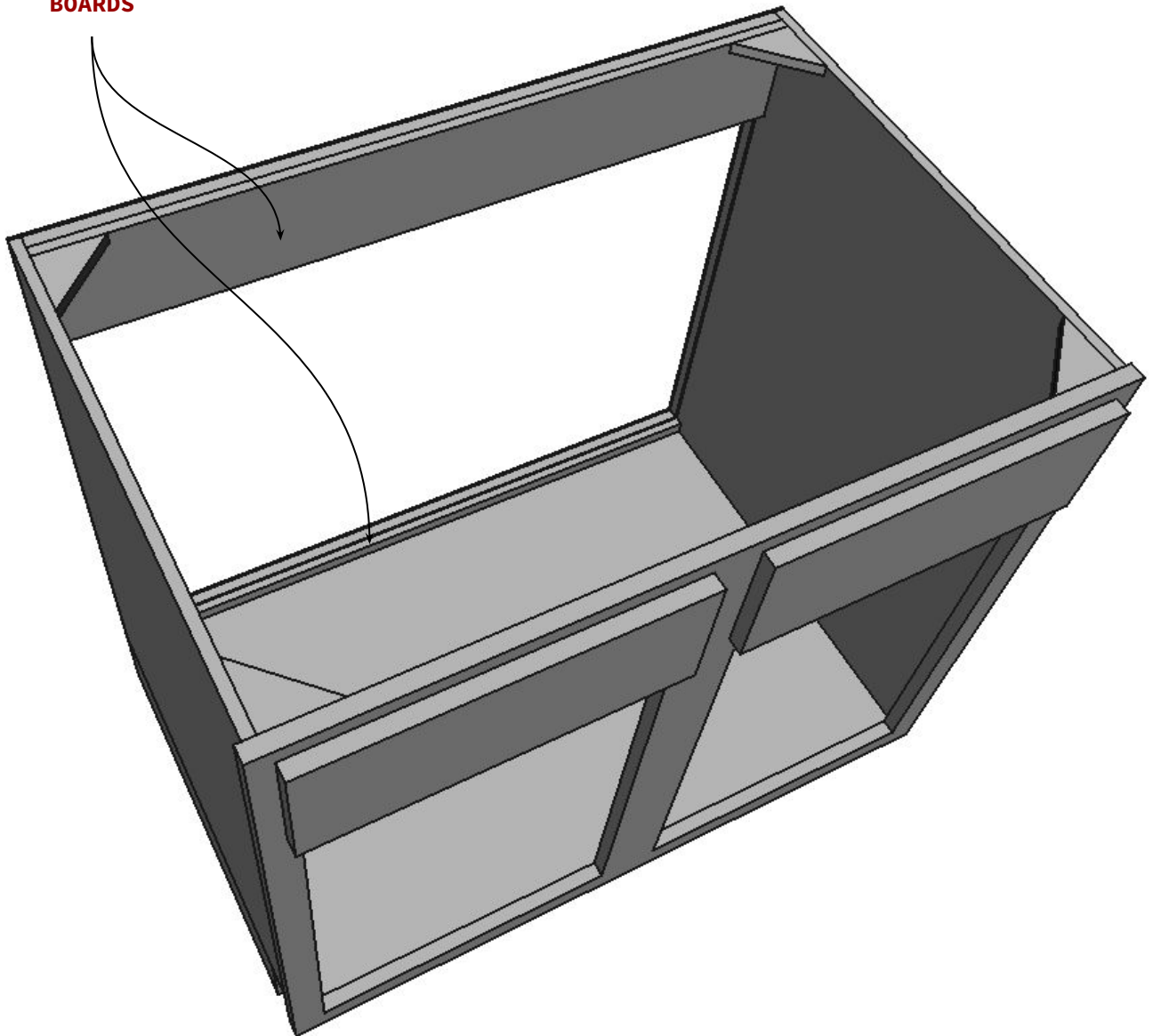
CUT LIST:

- Cut the previously stained 1 x 3 x 3' Red Oak Board to 30" long
- Cut the previously stained 1 x 4 x 3' Red Oak Board to 30" long

Cut out the back of the cooktop base cabinet:

Use a router to cut out the backer board of the cooktop base cabinet. Do not cut the plywood nailing boards at the top and bottom.

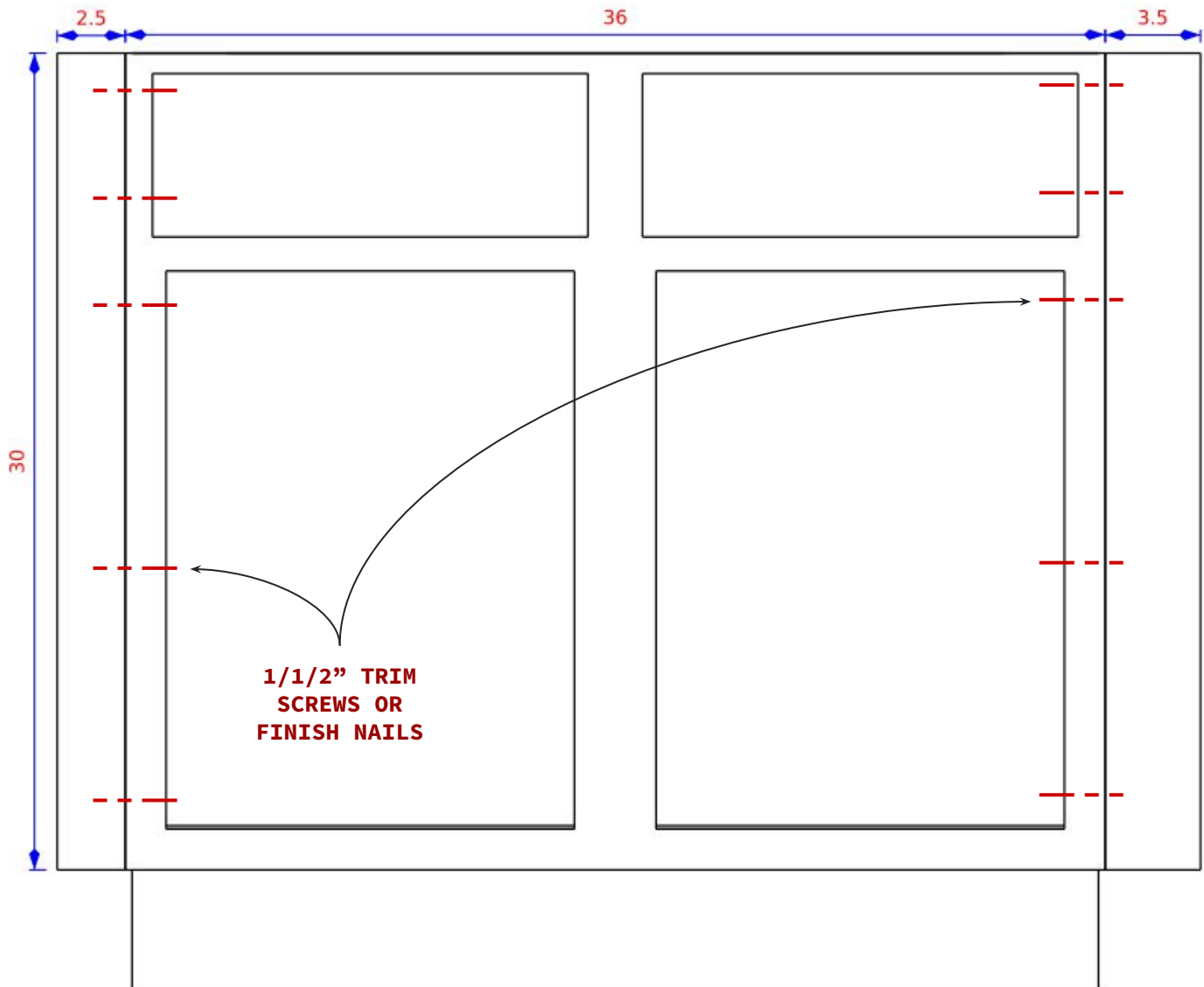
**DON'T CUT PLYWOOD NAILING
BOARDS**



CABINET FINISHING : CUSTOM ASSEMBLIES: BASE CABINETS : COOKTOP CABINET

Add lateral spacers to the cooktop base cabinet:

1. Attach the 1x3 - 30" oak board to the left side of the 36" base sink cabinet using 2" trim screws or finish nails driven from the inside of the cabinet.
2. Attach the 1x4 - 30" oak board to the right side of the 36" base sink cabinet using 2" trim screws or finish nails driven from the inside of the cabinet.



PROJECT BOOK : MAYSVILLE 1.3K 2022-23 : INTERIOR FINISHING : FIXTURES : KITCHEN

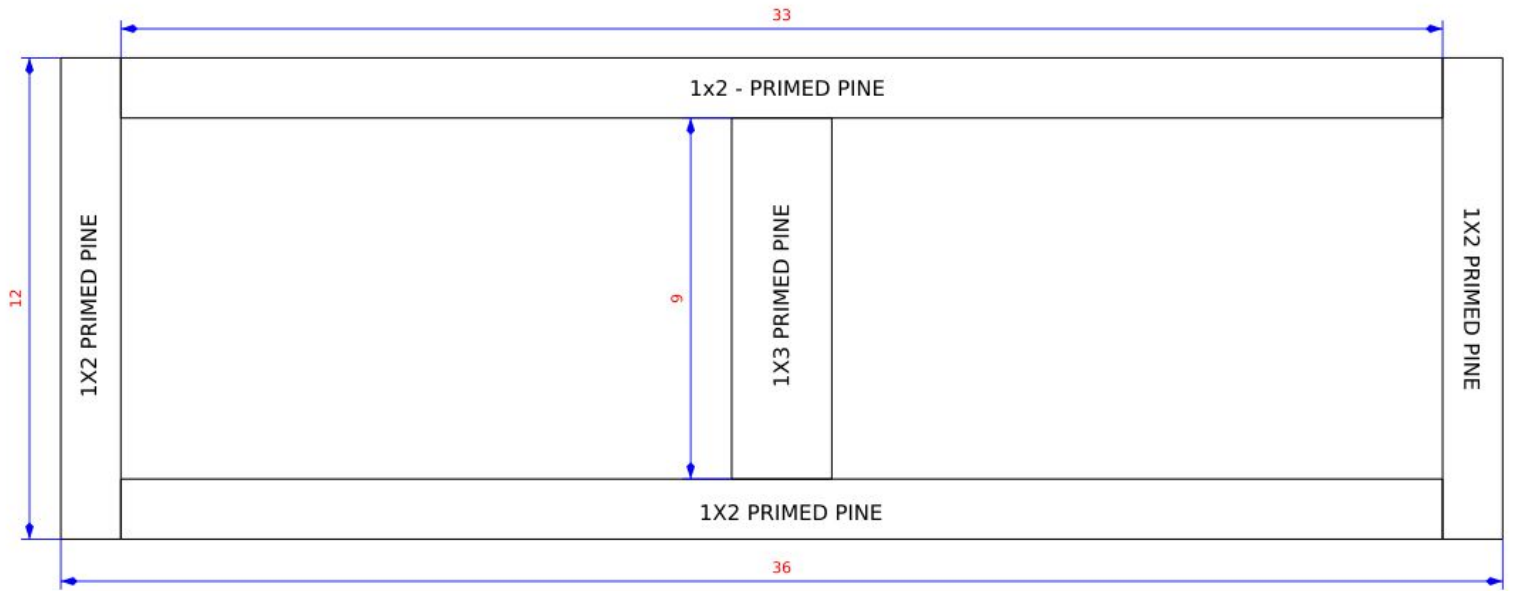
CABINET FINISHING : CUSTOM ASSEMBLIES: BASE CABINETS : COOKTOP CABINET

Install blocking

- 1.

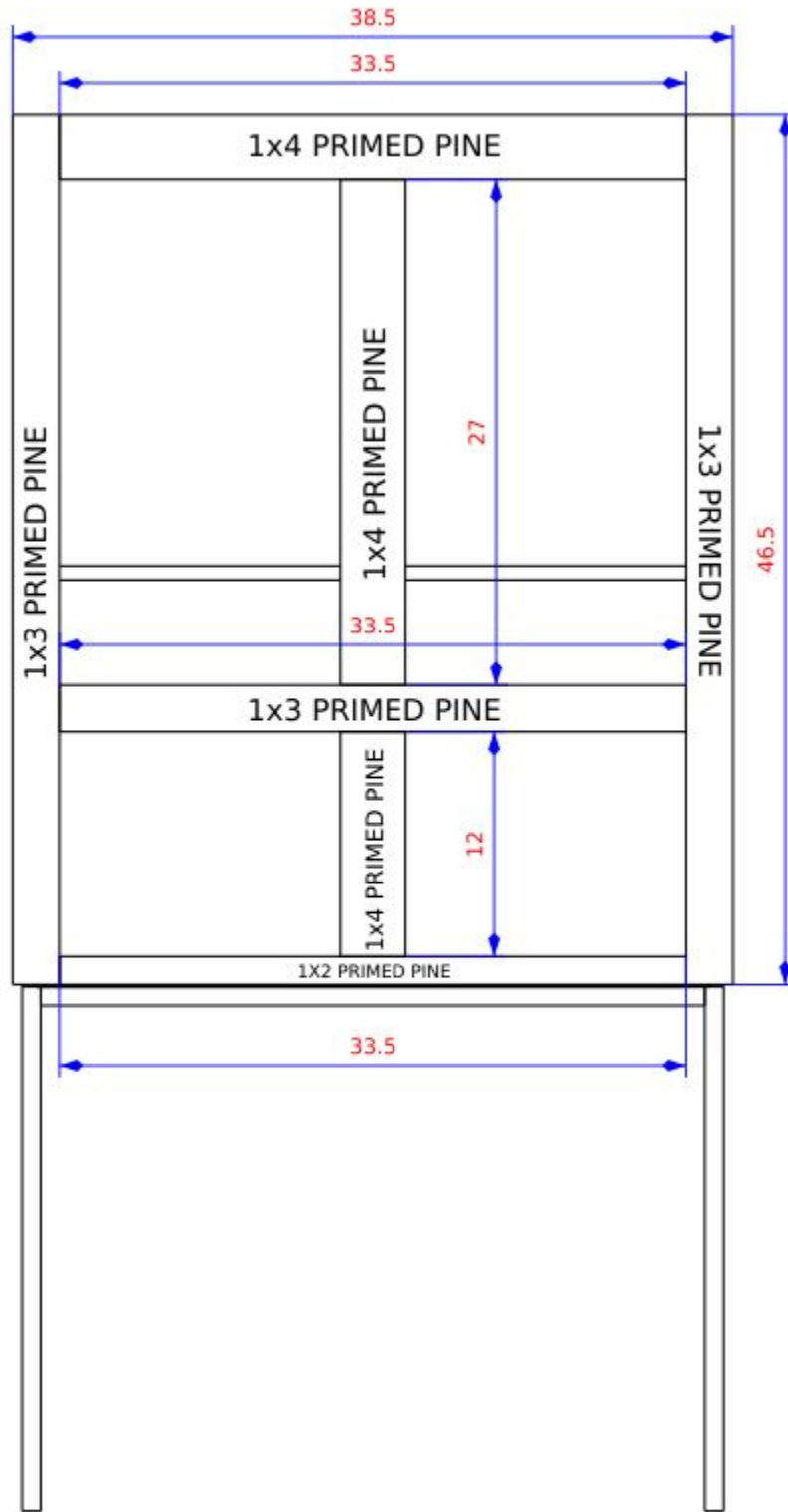
CUSTOM CABINET ASSEMBLIES
OPEN SHELVING

CABINET FINISHING : CUSTOM ASSEMBLIES: WALL CABINETS : OPEN SHELVING



CUSTOM CABINET ASSEMBLIES
WATER HEATER

CABINET FINISHING : CUSTOM ASSEMBLIES: WALL CABINETS : WATER HEATER



INSTALLATION

TIME LOG of kitchen cabinet installation

- Time to install base cabinets: