

DESIGN GUIDE

# LAUNDRY

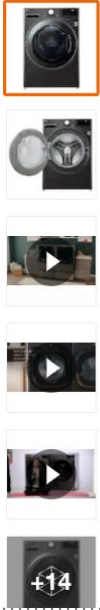
CC-BY-SA

# APPLIANCE DIMENSIONS

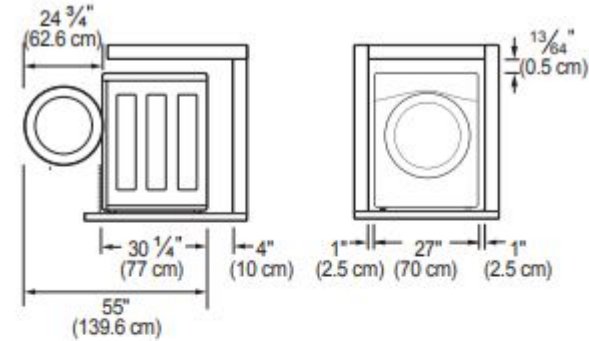
# DESIGN GUIDE: LAUNDRY : DIMENSIONS : WASHER-DRYER COMBO

LG  
**4.5 Cu. Ft. SMART Electric All-in-One Washer Dryer Combo in Black Steel with Steam & Turbowash Technology**

★★★★★ (890) Questions & Answers (449)

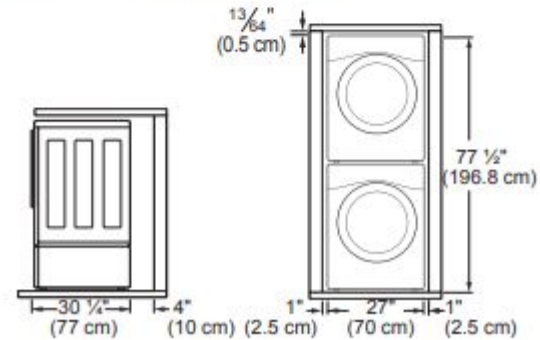


## Floor Installation



To ensure sufficient clearance for water lines, the drain line and airflow, allow minimum clearances of at least 1 inch (2.5 cm) at the sides and 4 inches (10 cm) behind the unit. Be sure to allow for wall, door, or floor moldings that may increase the required clearances.

## Stacked or Pedestal Installation

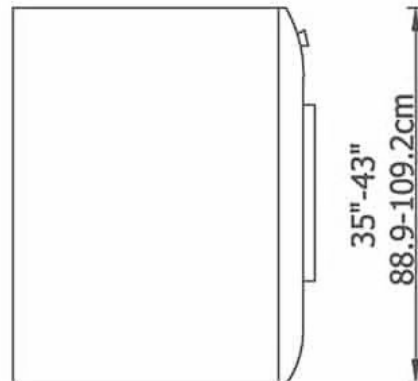
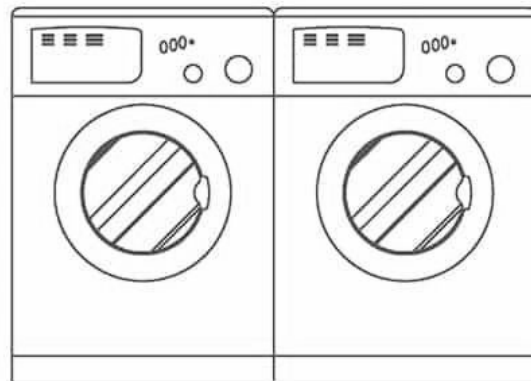
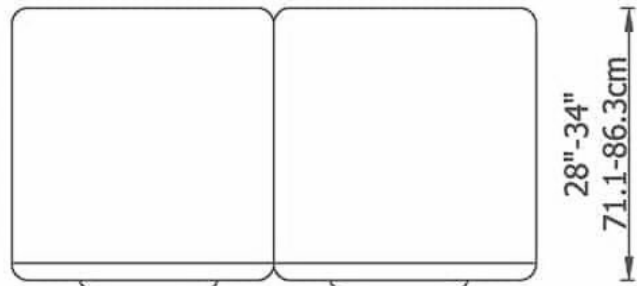


## OPTIONS/ACCESSORIES

Pedestal	WDP4B
Pedestal (WxHxD)	27" x 13 5/8" x 28" (43 7/8" D with door open)
LG Sidekick™ Pedestal Washer	WD100CB
LG Sidekick™ Pedestal Washer (WxHxD)	27" x 14 1/8" x 30 3/4" (50 9/16" D with door open)

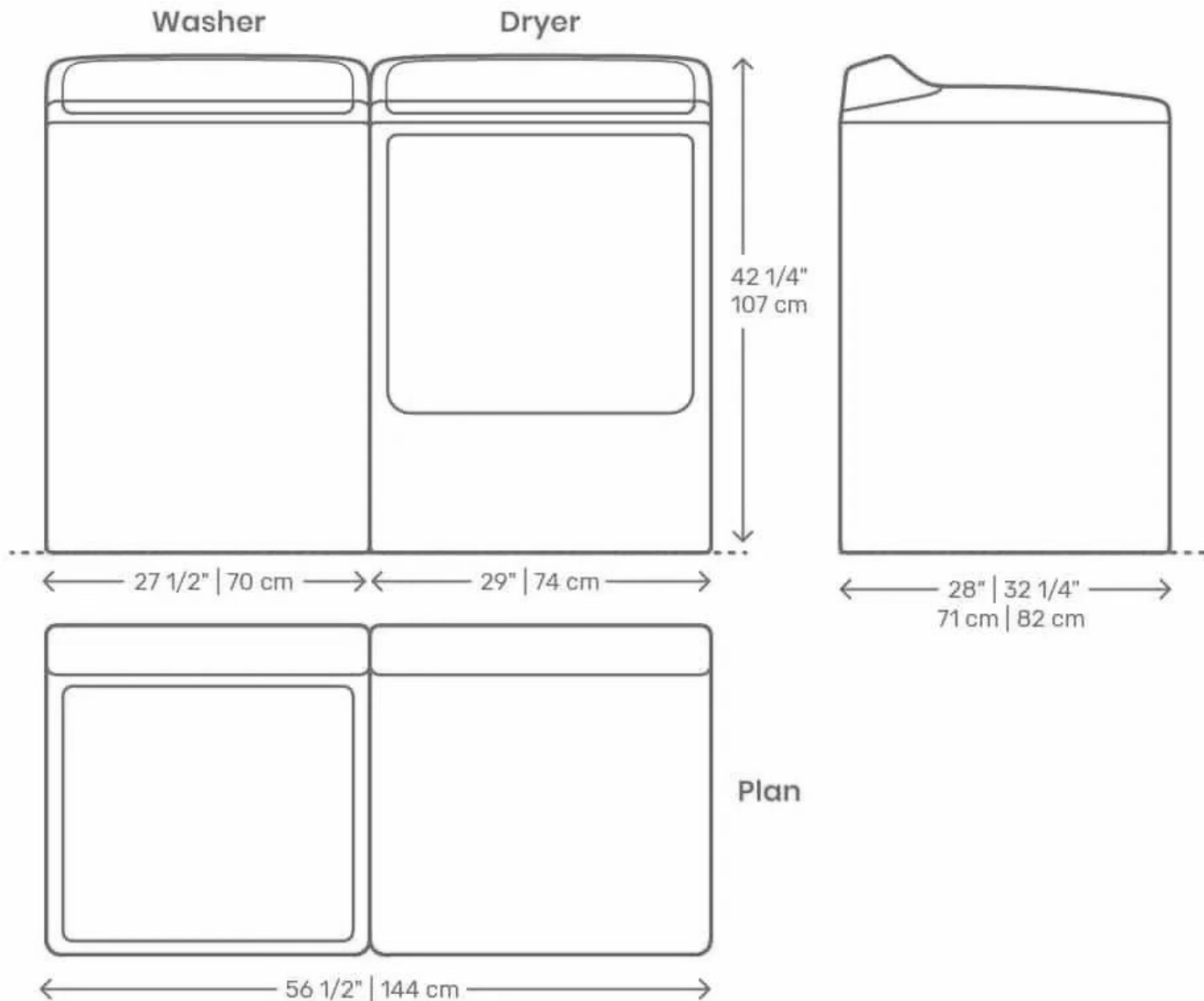
## DIMENSIONS

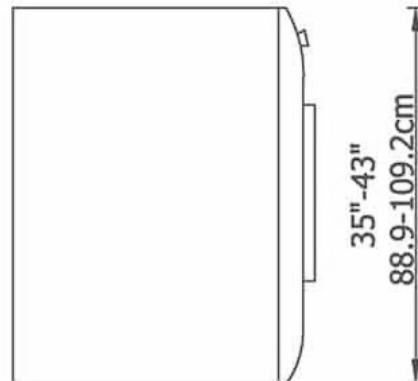
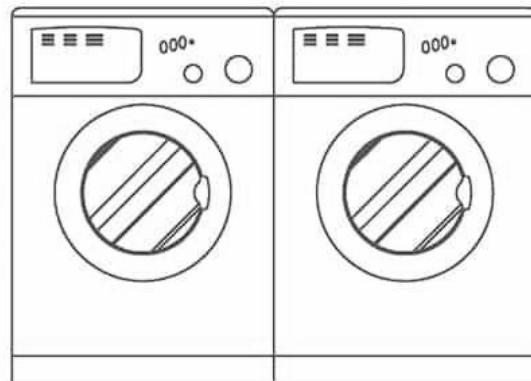
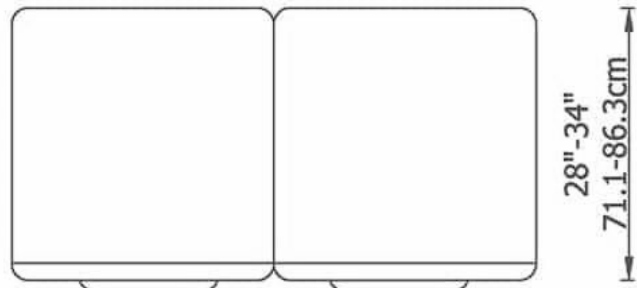
Product (WxHxD)	27" x 39" x 30 1/4"
Depth with Door Open	55"
Carton (WxHxD)	29 23/32" x 41 27/32" x 31 17/32"
Weight (Product)	213.8 lbs.
Weight (Carton)	235.9 lbs.



## STANDARD WASHER AND DRYER DIMENSIONS

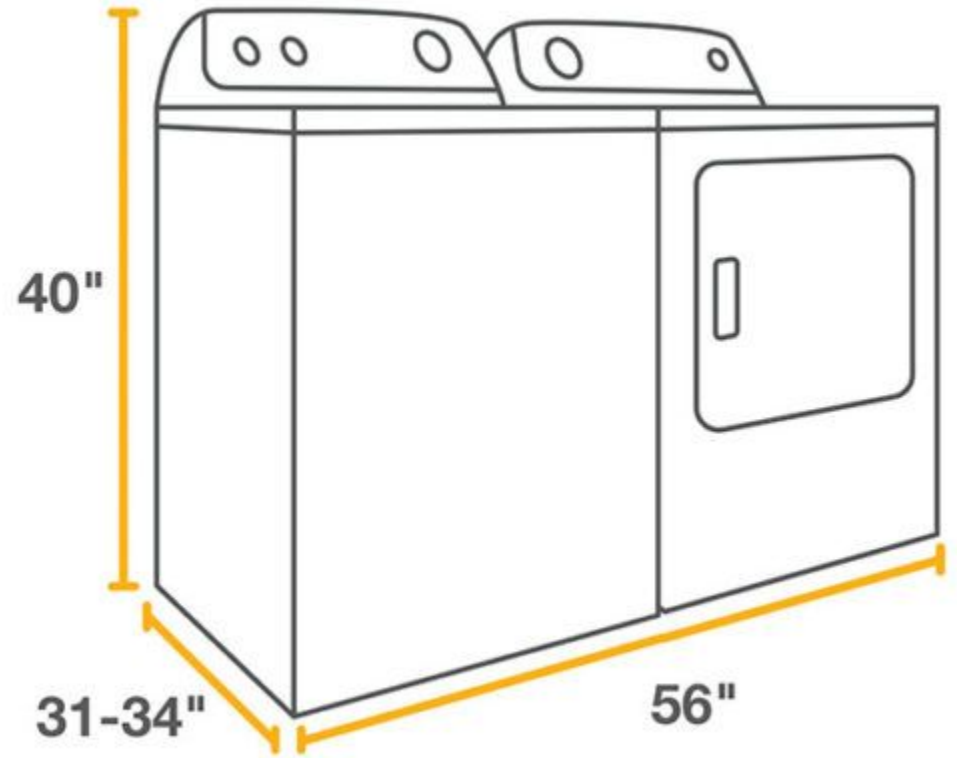
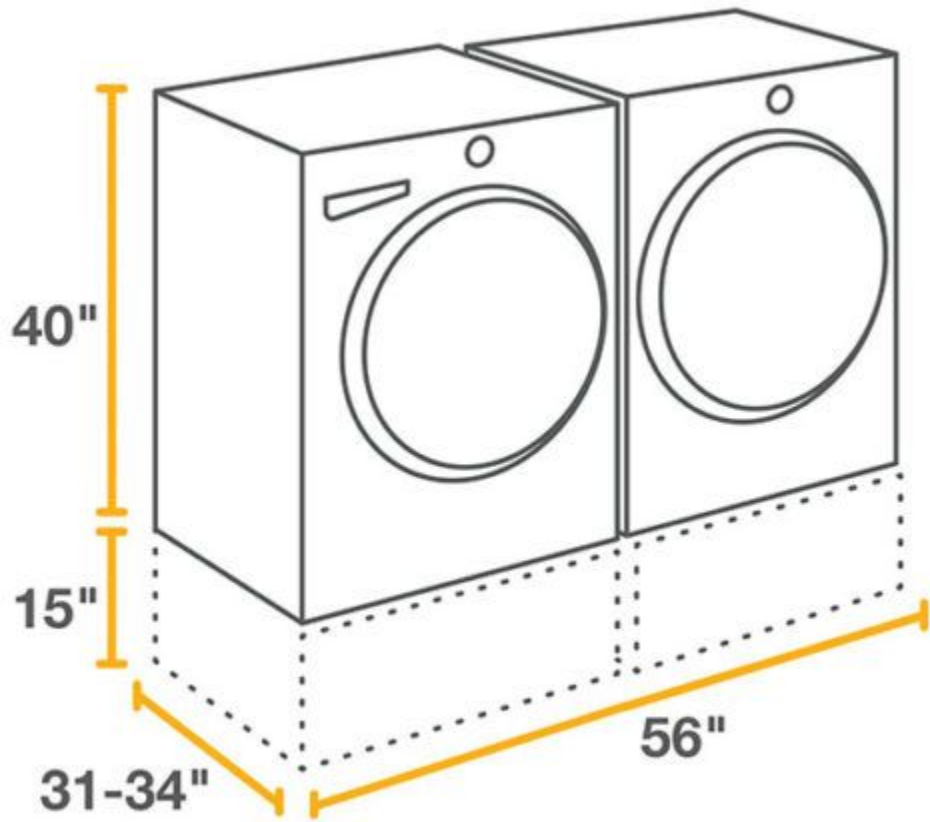
## Dimensions.Guide Whirlpool HE Top Load Washer & Dryer



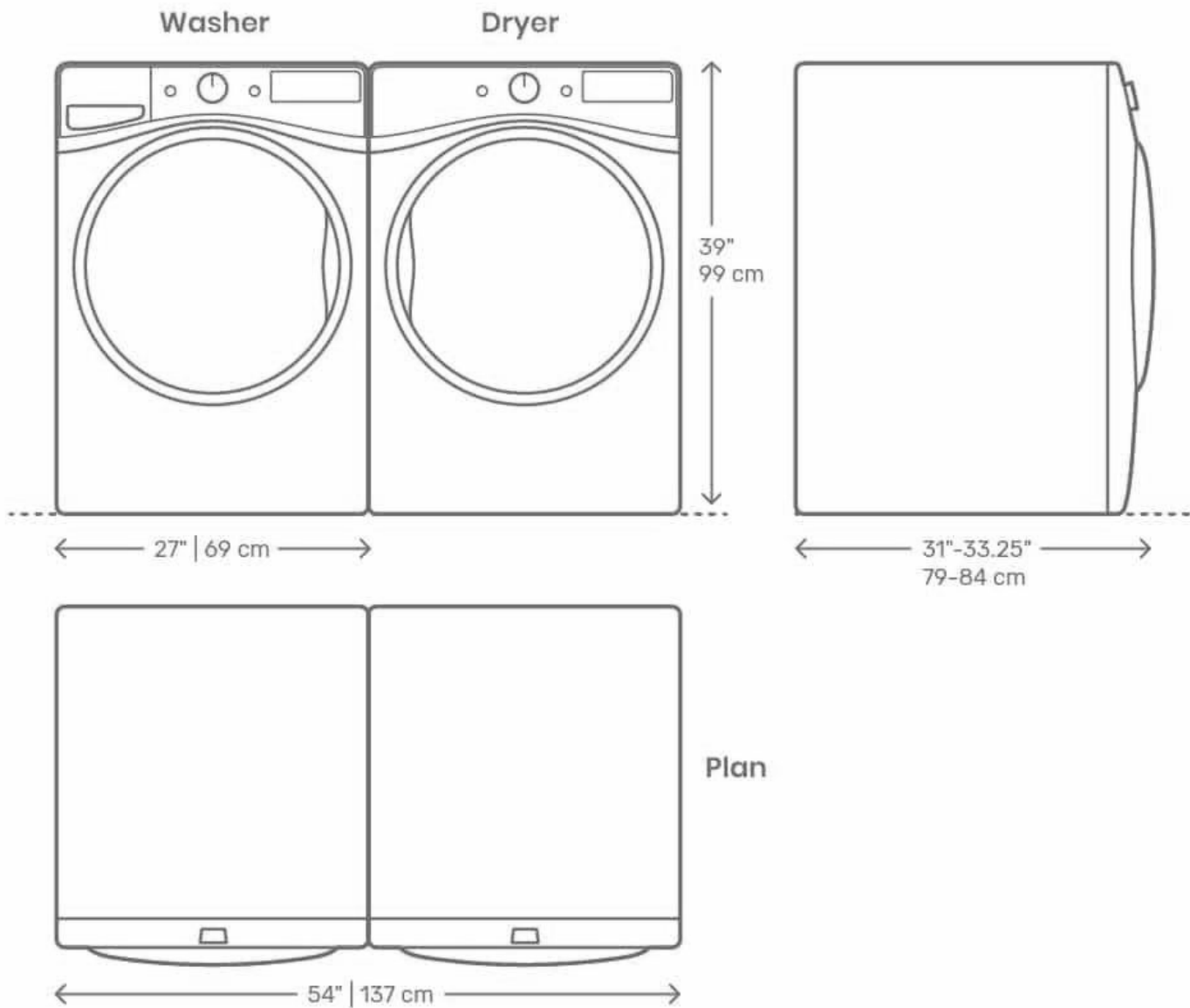


## Front-Loading Washer and Dryer DIMENSIONS

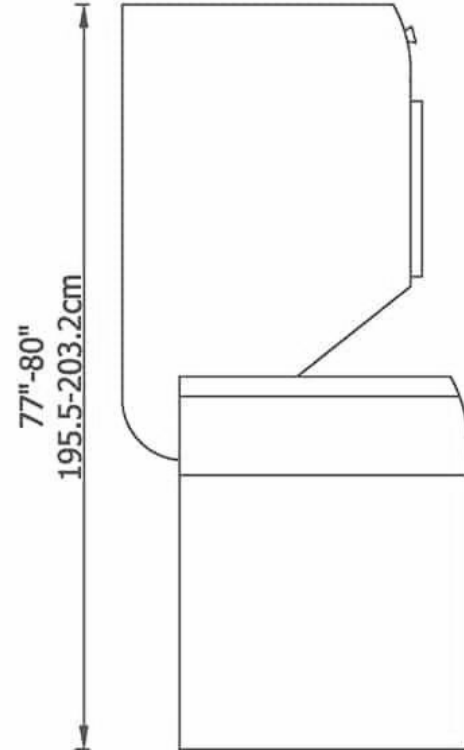
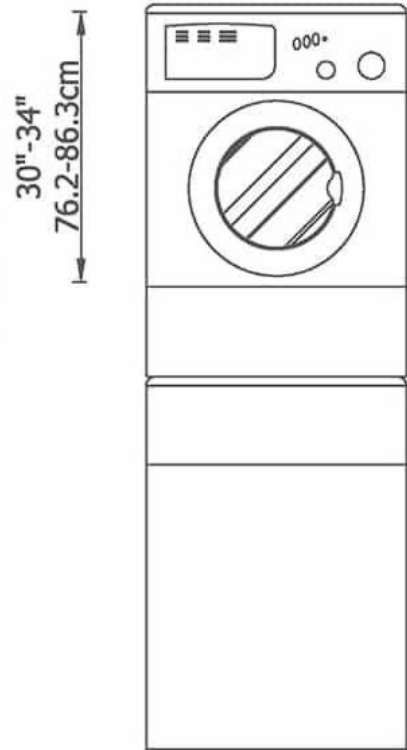
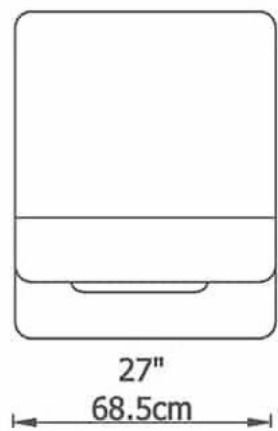
DESIGN GUIDE: LAUNDRY : DIMENSIONS



## Dimensions.Guide Whirlpool Front Load Washer & Dryer

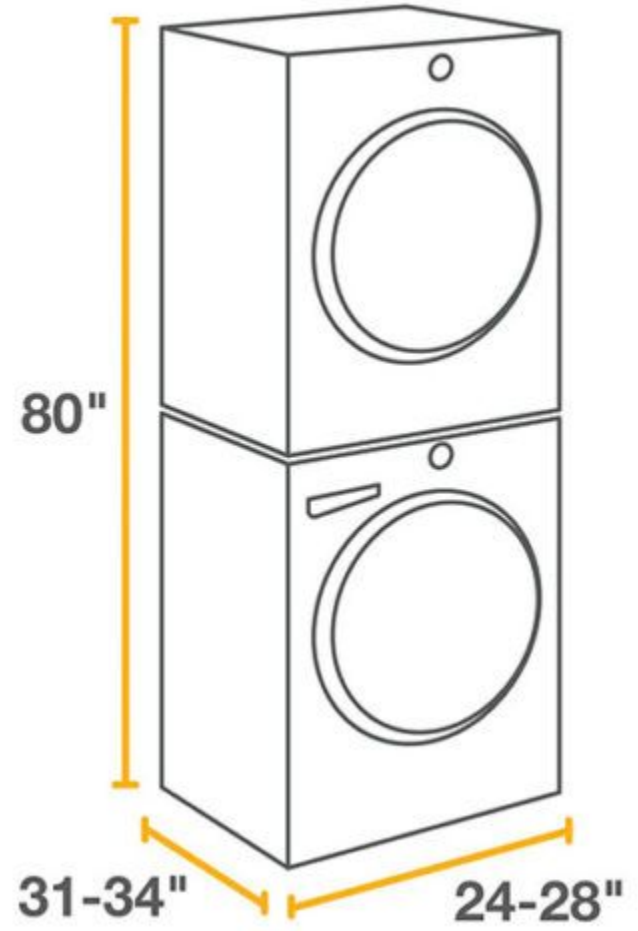
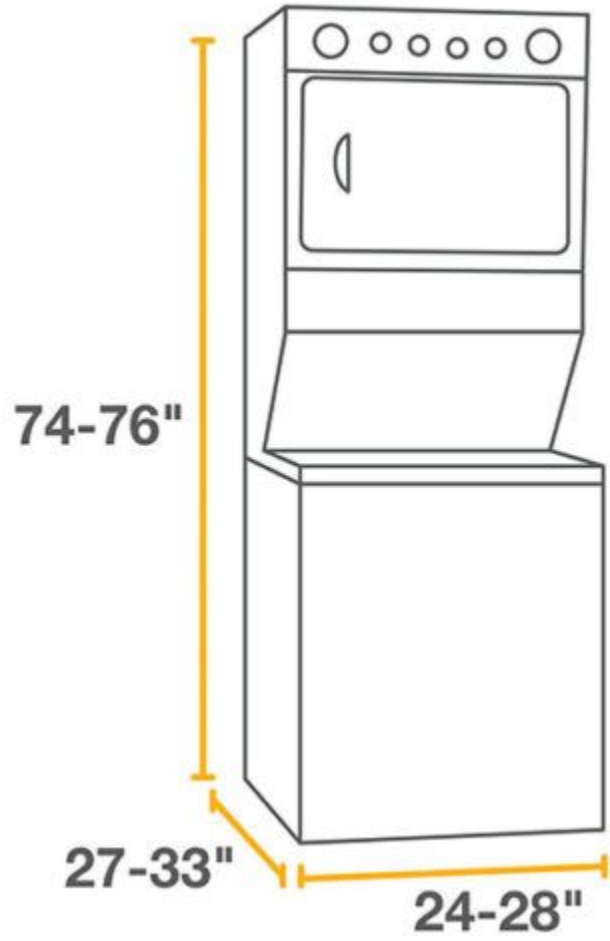




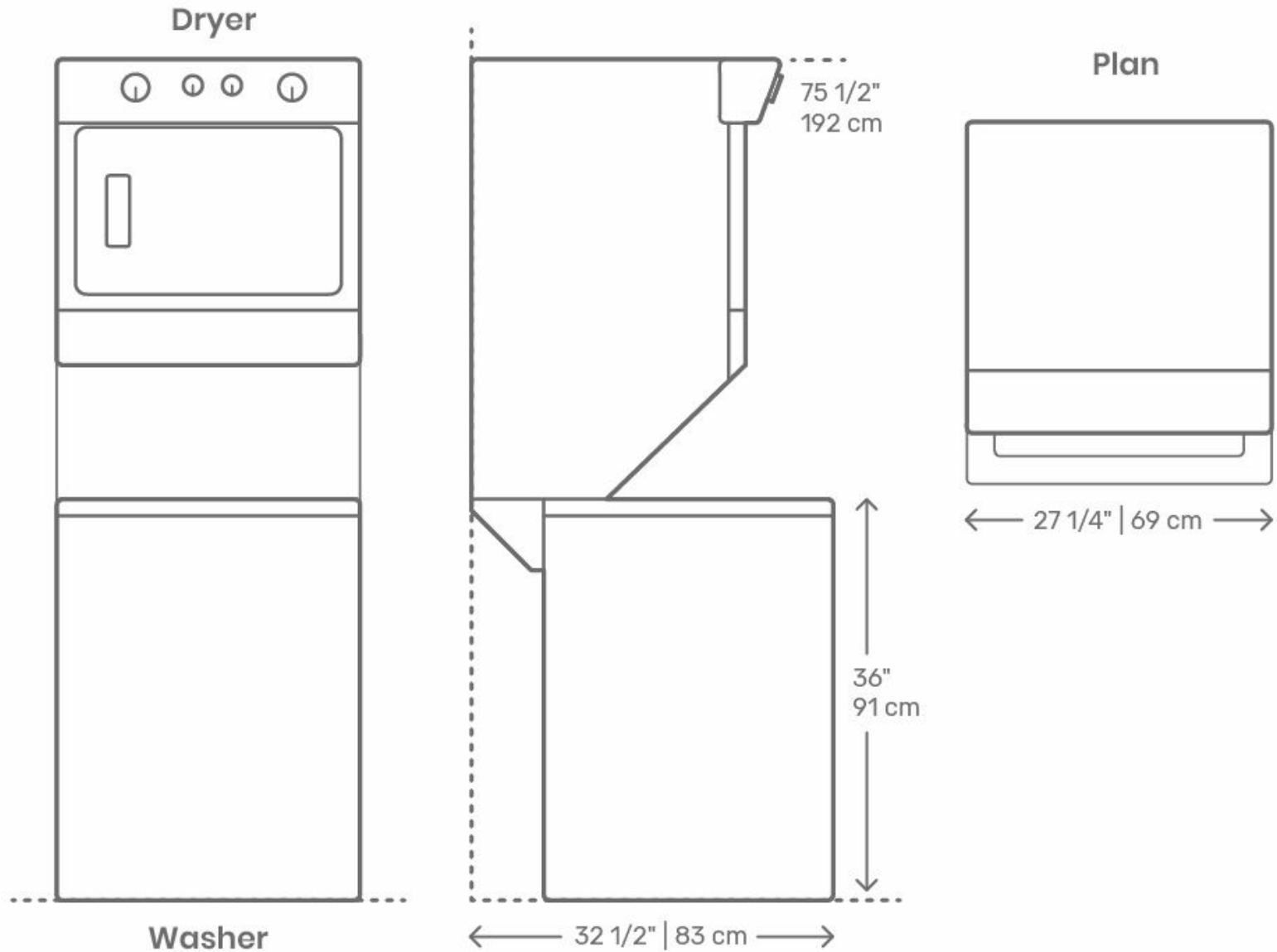


**STANDARD STACKABLE  
WASHER AND DRYER  
DIMENSIONS**

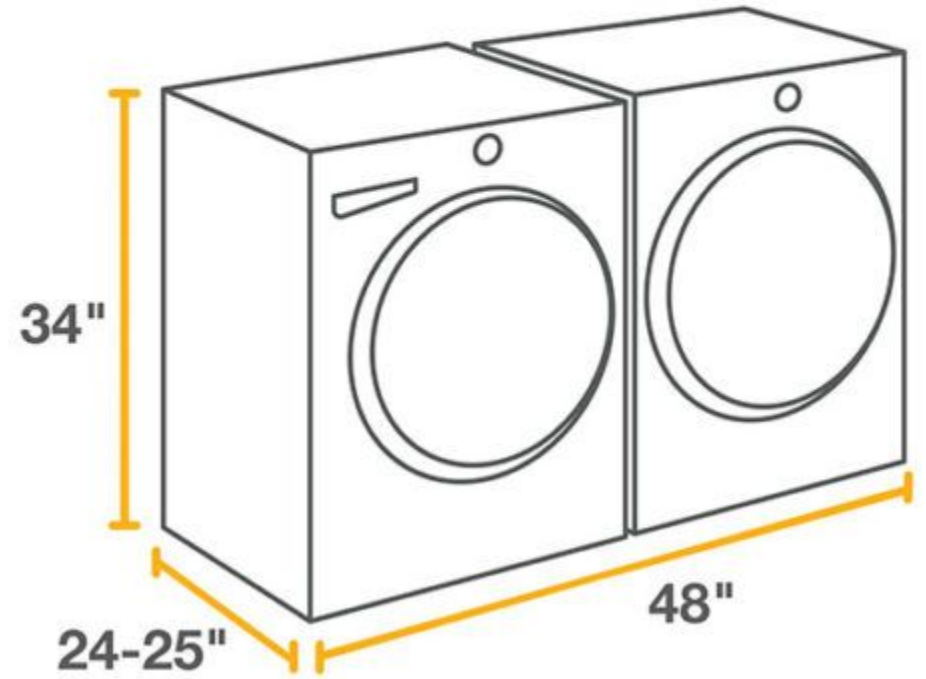
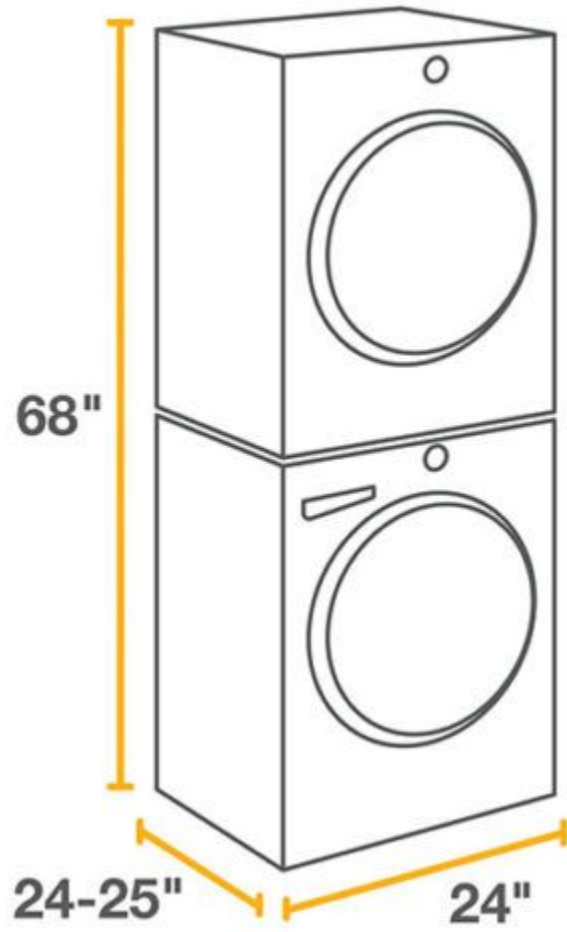
DESIGN GUIDE: LAUNDRY : DIMENSIONS



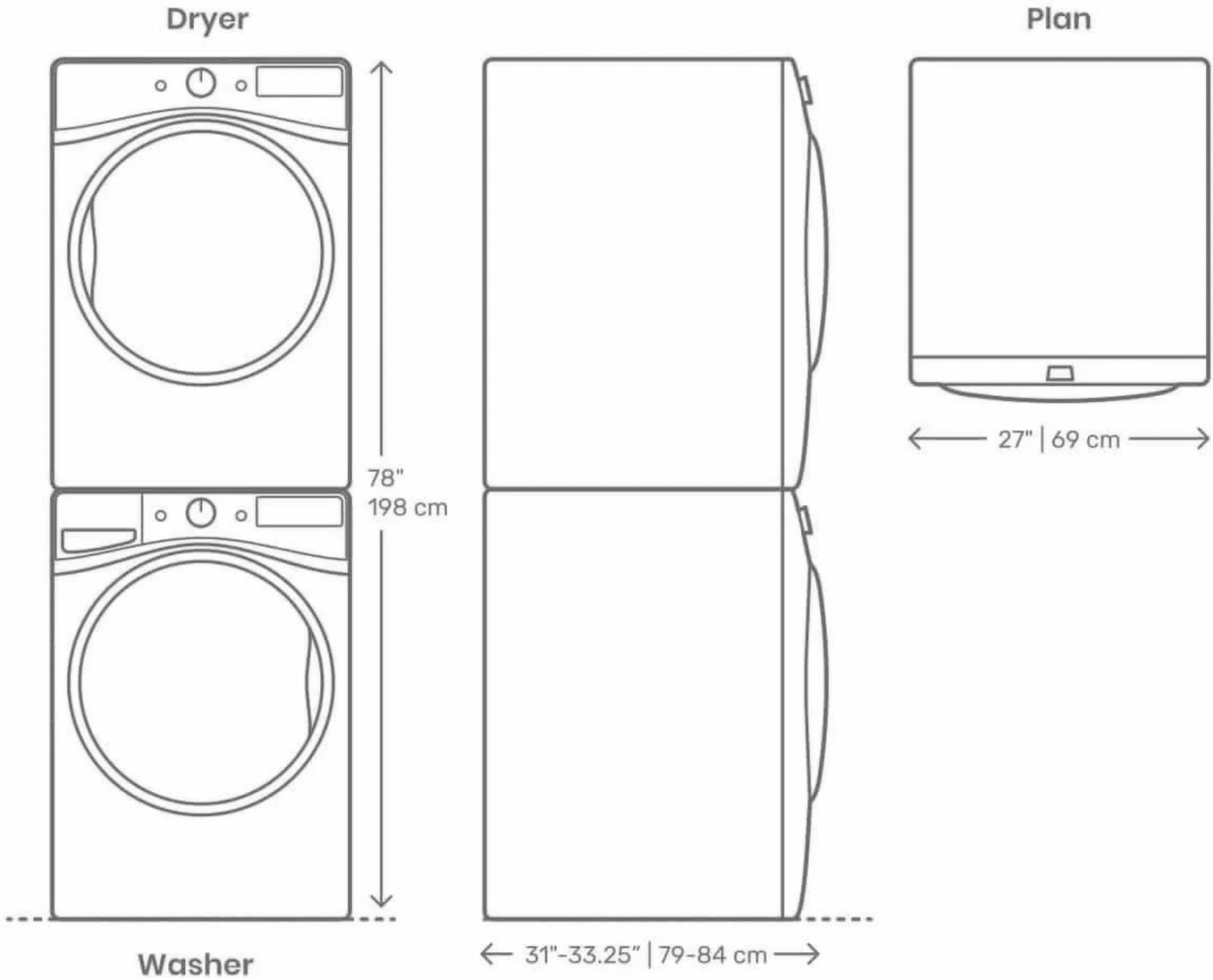
## Dimensions.Guide Whirlpool Stacked Laundry Center



DESIGN GUIDE: LAUNDRY : DIMENSIONS



DESIGN GUIDE: LAUNDRY : DIMENSIONS





If you have a top-loading washer, there should be **16 to 18 inches** of clearance above the washer to open the door. Stacked washer and dryers and combination units required a vertical clearance of 60 to 76 inches and a horizontal clearance of 24 to 30 inches.

## between 52 inches to 58 inches

Typically, top-load washers measure 27in to 28in x 41 to 44in x 26in to 28in (WxHxD), not including an additional four inches for connections. With the lid open to 90 degrees, this category falls between **52 inches to 58 inches** in height. Feb 17, 2021

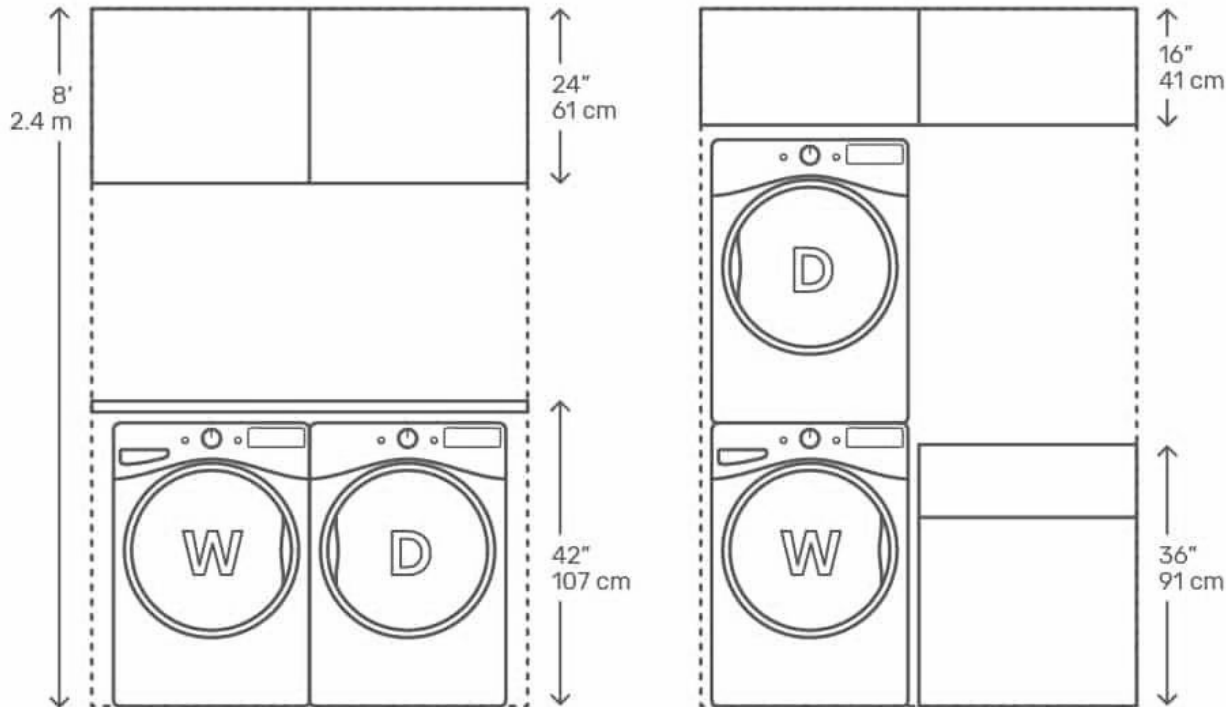
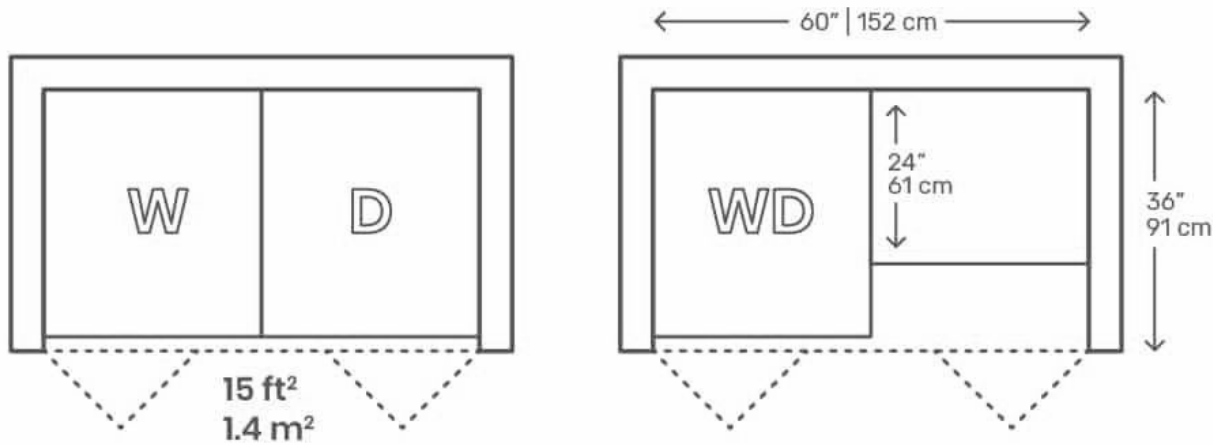


# DESIGN GUIDE: LAUNDRY : DIMENSIONS



## Dimensions.Guide | Laundry Room Layouts

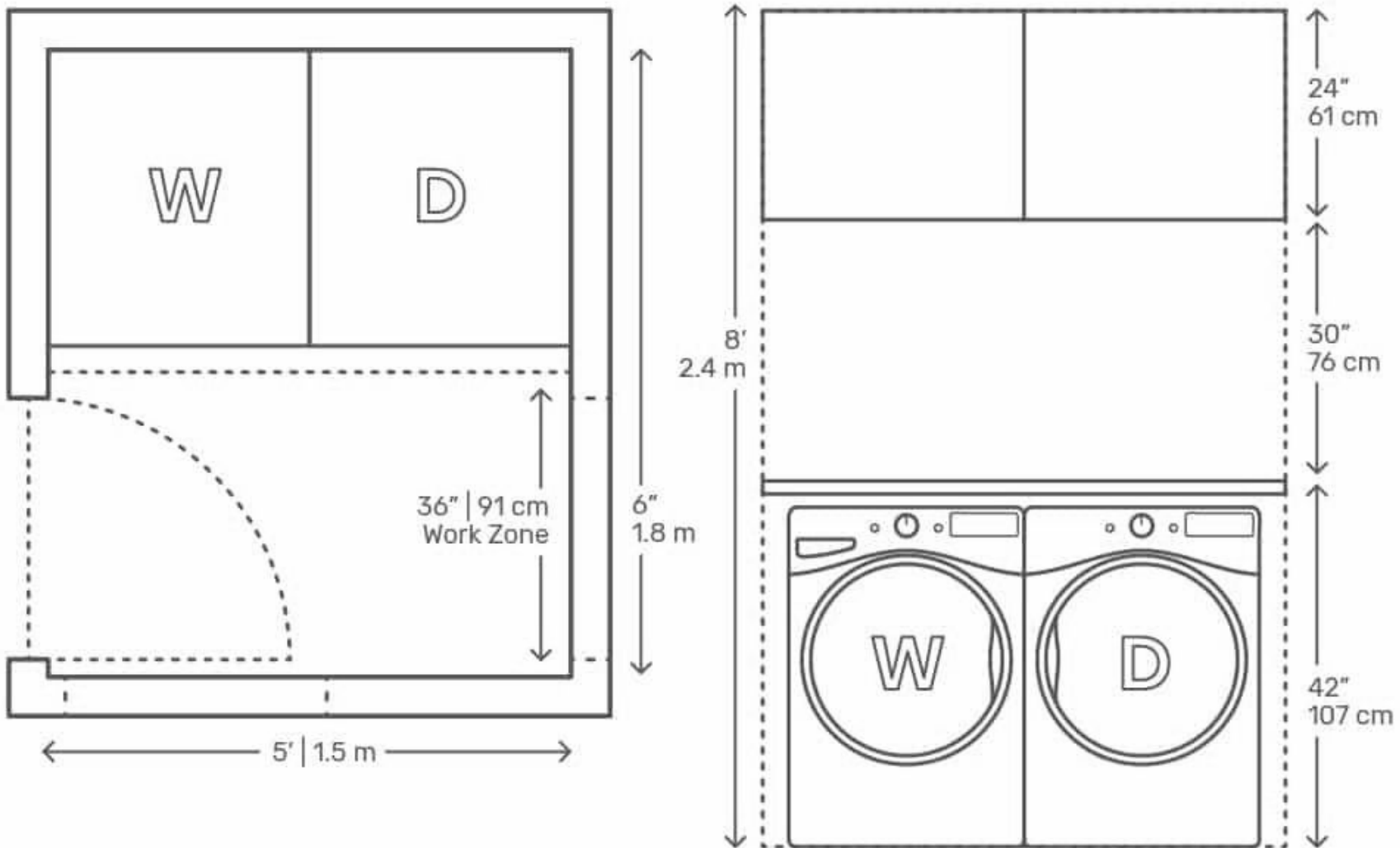
### Laundry Closet - Two Unit





## Dimensions.Guide | Laundry Room Layouts Galley Single Row - Two Unit Laundry Room

30 ft<sup>2</sup> | 2.8 m<sup>2</sup>



APPLIANCES

# DESIGN GUIDE: LAUNDRY : DIMENSIONS : STACKED WASHER & DRYER

Frigidaire  
White Electric Washer/Dryer Laundry Center - 3.9 cu. ft. Washer and 5.5 cu. ft. Dryer

★★★★☆ (924) [Questions & Answers \(86\)](#)



Hover Image to Zoom

581

SPECIAL BUY

**\$1348<sup>00</sup>** ~~\$1599.00~~  
Save \$251.00 (16%)



\$225.00 /mo\* suggested payments with 6 months\* financing [Apply Now](#)

- Movement of agitator ensures your clothes come out clean
- Wash and dry a single load in 60 minutes
- Fit more in every load with 3.9 cu. ft. washer capacity
- [View More Details](#)

### How to Get It



**Home Delivery**  
Expect it by  
**Wed May 18**  
**FREE**



**Store Pickup**  
Not available for this  
item

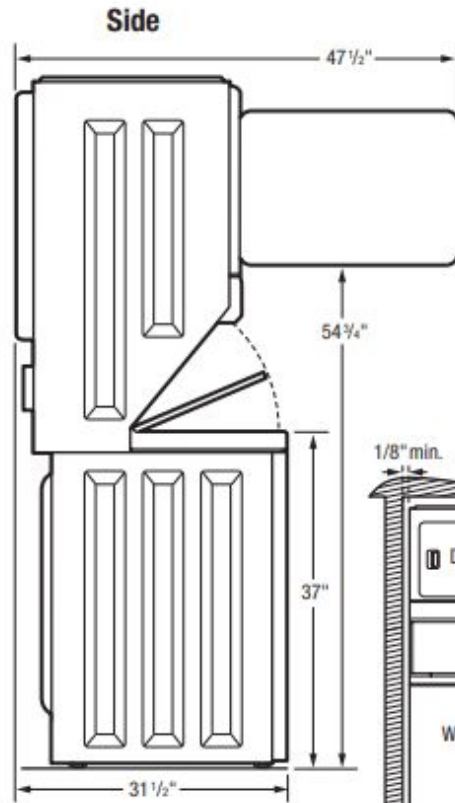
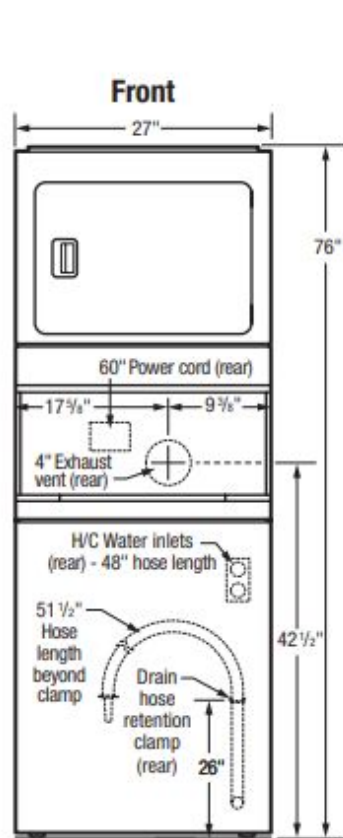
Earliest delivery date **Wed May 18** to **64469**  
[Change Delivery Zip Code](#)

**Add to Cart**

DESIGN GUIDE: LAUNDRY : DIMENSIONS : STACKED WASHER & DRYER

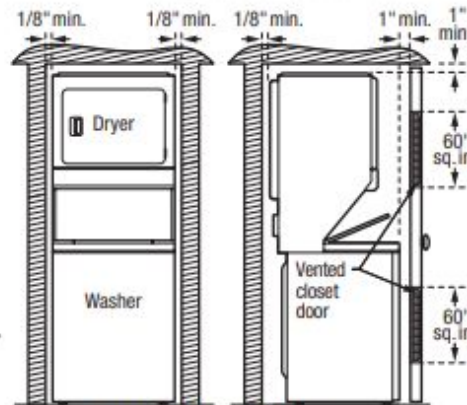
**FFLE3900UW**  
**LAUNDRY CENTER**  
**ELECTRIC**

**FRIGIDAIRE**



**Alcove or Closet Installation**

Unit requires 1/8" minimum installation clearance around sides and back of unit. To achieve 1/8" minimum rear clearance, unit **MUST** be vented straight back. Closet installation requires additional 1" minimum clearance between front of unit and vented door. Door **MUST** be vented with 120 sq. in. minimum louvered opening, equally divided, located 3" from top and bottom of door. A louvered door with equivalent air openings for full-length of door is acceptable. Air openings **MUST** remain unobstructed with door installed. For additional installation details, refer to Product Installation Guide on web.



**Alcove or Closet Installation**



# DESIGN GUIDE: LAUNDRY : DIMENSIONS : STACKED WASHER & DRYER

## GE Electric Stacked Laundry Center with 2.3-cu ft Washer and 4.4-cu ft Dryer

Shop GE  1880

\$1,348.00

[Return to Top](#)

[Overview](#)

[Specifications](#)

[Compare](#)

[Reviews](#)

[Q&A](#)

[Protection Plans](#)

[Product Features](#)



+10



\$1,348.00

~~\$1,499.00~~ Save \$151.00 Ends May 18



\$1280.60 when you choose 5% savings on eligible purchases every day. [Learn how](#)

OR

\$113/mo suggested payments with 12 month special financing. Ltd time. [Learn how](#)

- Rotary-electromechanical dryer controls - allow fast, easy cycle selection
- 12 wash cycles - multiple cycles are designed to specifically handle various fabrics and soils
- 6 wash/rinse temperatures - select the right temperature for ideal wash results



### Protect your Product

View available plans & Services



-

1

+

Qty

Hurry, Low in Stock

Add to Cart

In-use/lifestyle images – accessories not included

## GUD24ESSM/24GSSM

GE® Unitized Spacemaker® 2.3 DOE Cu. Ft. Stainless Steel Washer and 4.4 Cu. Ft. Dryer

### DIMENSIONS AND INSTALLATION INFORMATION (IN INCHES)

#### ELECTRICAL REQUIREMENTS:

GUD24ESSM Electric Dryer – This appliance should be connected to an individual, properly-grounded branch circuit with 120/240V single-phase 60 Hz electrical service and should be protected by 30-amp time-delay fuses or circuit breakers. This appliance is manufactured with neutral connected to the frame. Power cord should be purchased separately.

**NOTE:** These appliances are not approved for 120-volt operation.

#### GAS REQUIREMENTS:

GUD24GSSM Gas Dryer – This appliance should be connected to an individual branch circuit with a three-prong grounding-type receptacle and 120-volt single-phase 60 Hz electrical service and should be protected by 15- or 20-amp time-delay fuses or circuit breakers. This appliance is equipped with a 6-foot long flexible U.L. listed 20-amp power cord to match a 15-amp receptacle.

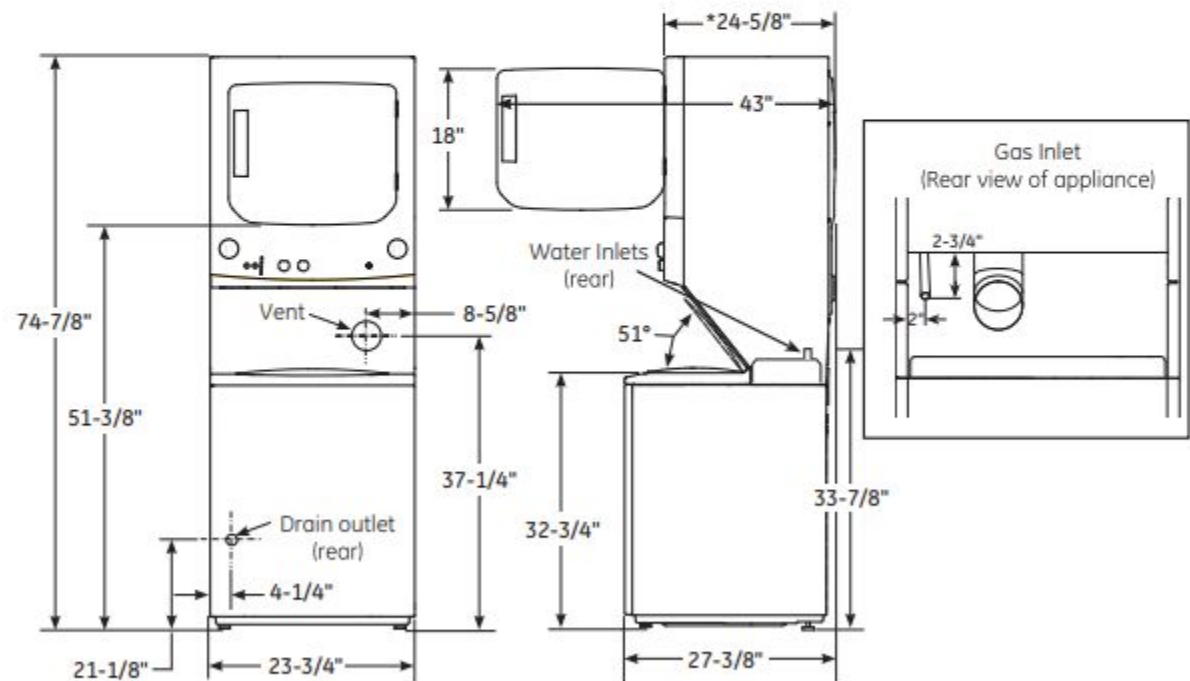
**GAS RATED** input 10,500 BTU/HR. Factory equipped for natural gas. Tested for LP gas.

Dryers must be exhausted to the outside.

**INSTALLATION INFORMATION:** For complete information, see installation instructions packed with the product.

## Installation Instructions

### 24" NOMINAL PRODUCT DIMENSIONS



\* Dimension represents door closed including handle and knobs.

**NOTE:** With feet set at mid position, feet can be adjusted +/- 3/8".



# DESIGN GUIDE: LAUNDRY : DIMENSIONS : STACKED WASHER & DRYER

GE  
White Laundry Center 3.8 cu. ft. Washer and 5.9 cu. ft. 240-Volt Vented Electric Dryer

★★★★☆ (7412) Questions & Answers (496)

5.8k

**\$1394<sup>00</sup>** ~~\$1549.00~~  
Save \$155.00 (10%)

 \$233.00 /mo\* suggested payments with 6 months\* financing

- 5.9 cu. ft. capacity dryer and 3.8 cu. ft. capacity washer
- Dual-action agitator thoroughly cleans garments
- 11 wash cycles handle various fabrics and soils
- [View More Details](#)

### St Joseph Store


✓ On Display

Color/Finish: **White**



### How to Get It

 **Home Delivery**  
Expect it by  
**Wed May 25**  
**FREE**

 **Store Pickup**  
Not available for this  
item

Earliest delivery date **Wed May 25** to **64469**  
[Change Delivery Zip Code](#)

 **Add to Cart**



 Share  Print

## GUD27ESSM/27GSSM

GE® Unitized Spacemaker® 3.8 DOE Cu. Ft. Stainless Steel Washer and 5.9 Cu. Ft. Dryer

### DIMENSIONS AND INSTALLATION INFORMATION (IN INCHES)

#### ELECTRICAL REQUIREMENTS:

GUD27ESSM Electric Dryer – This appliance should be connected to an individual, properly-grounded branch circuit with 120/240V or 120/208V single-phase 60 Hz electrical service and should be protected by 30-amp time-delay fuses or circuit breakers KW Rating per voltage (240/208). This appliance is manufactured with neutral connected to the frame. Power cord should be purchased separately.

#### GAS REQUIREMENTS:

GUD27GSSM Gas Dryer – This appliance should be connected to an individual branch circuit with 120-volt single-phase 60 Hz electrical service and should be protected by 20-amp time-day fuses or circuit breakers. This appliance is equipped with a 4-foot long flexible U.S. listed 20-amp power cord to match a 20-amp receptacle.

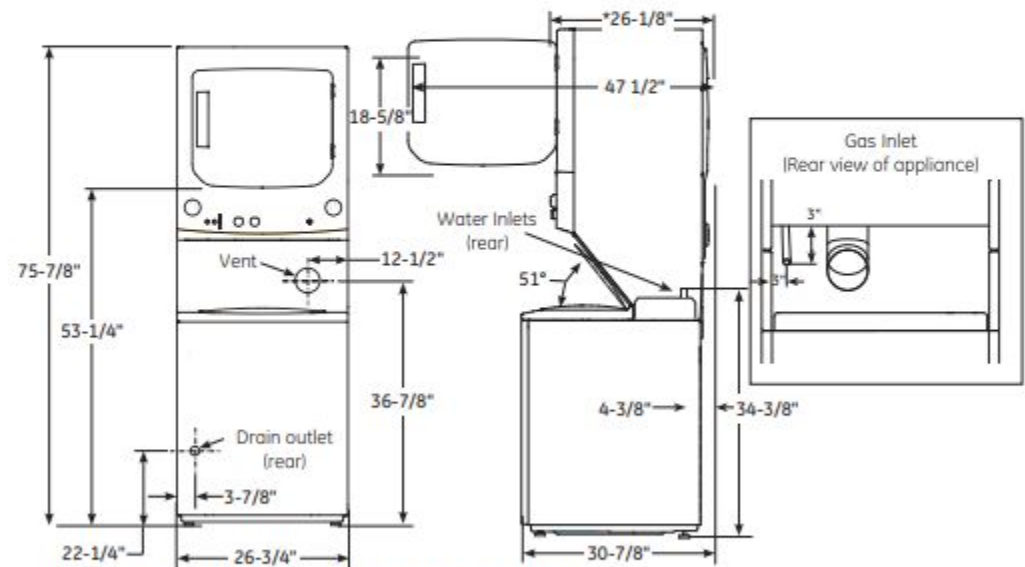
**NOTE:** Gas Rated input 20,000 BTU/HR. Factory equipped for natural gas. Tested for LP gas. LP gas supply requires a conversion kit. Have a qualified gas technician install a conversion kit before use.

Dryers must be exhausted to the outside.

**INSTALLATION INFORMATION:** For complete information, see installation instructions packed with the product.

### Installation Instructions

27" NOMINAL PRODUCT DIMENSIONS



\* Dimension represents door closed including handle and knobs.

NOTE: With feet set at mid position, feet can be adjusted +/- 3/8".



FITTINGS



Roll over image to zoom in



## Builders Best 10151 Close Elbow

[Visit the Builder's Best Store](#)

★★★★☆ 581 ratings



\$13<sup>81</sup>

✓prime

& FREE Returns

May be available at a lower price from [other sellers](#), potentially without free Prime shipping.

Color:

**Original Version**

<b>Size</b>	4 In.
<b>Material</b>	Flame Resistant steel
<b>Brand</b>	Builder's Best
<b>Color</b>	Original Version
<b>Item Dimensions LxWxH</b>	8 x 6 x 5 Inches
<b>Connector Type</b>	Elbow
<b>Item Weight</b>	0.2 Pounds

### About this item

- Turns 90 Degree Within 4-Inch , Flame Resistant Steel
- 1 Male Rotating Snap-lock Fitting
- 1 Female Rotating Snap-lock Fitting
- Ideal For 90 Degree Turns, Especially On Dryer
- Bulk Package

DOORS

# DESIGN GUIDE: LAUNDRY : DOORS

## Designer's Image 36"W x 80"H White Prefinished Pine Full Louver Bi-Fold Closet Door

Model Number: 4132209 | Menards® SKU: 4132209



EVERYDAY LOW PRICE \$139.00  
 11% MAIL-IN REBATE Good Through 5/14/22 \$15.29  
**FINAL PRICE** **\$123.71** each

You Save \$15.29 with Mail-in Rebate

Nominal Size: 36" x 80"

Qty: 1

ADD TO CART

Compare  Add to Lists  Add to Gift Registry

\* Mail-in Rebate is in the form of merchandise credit check, valid in-store only. Merchandise credit check is not valid towards purchases made on MENARDS.COM®. [Learn More](#)

Need more information?

[VIEW BUYING GUIDE](#)

## Features

- Bi-fold design provides full closet access
- Easy installation with simple household tools
- Pine substrate with a water-based primer and white top coat
- Fully-louvered design offers exceptional ventilation
- Features a pre-painted white track for lasting operation
- Knobs are included for a complete installation
- Also includes hardware, track, and installation instructions (set of 2 panels)
- Dimensions are designed to fit a finished opening
- For 72" openings, purchase two 36" door sets (also shown)
- **Nominal size: 36" W x 80" H x 1-1/8" Thick**
- This item is not for sale to these states: HI, AK

# INSTALLATION INSTRUCTIONS FOR 1-3/8" BIFOLD DOORS

## ROUGH OPENING FOR NEW CONSTRUCTION

The construction of the rough opening for single or double bifold doors should be designed so that the opening conforms to our recommended finished opening dimensions. The finishing of the rough opening can be either a wood frame or drywall because the bifold installation hardware that comes with the bifold can be surface-mounted to either material.

## RECOMMENDED FINISHED OPENING DIMENSIONS

This chart allows for a 1/8" (3.2 mm) gap at the top of the bifold and a 1/4" (6.4 mm) space on the sides of the bifold, after it has been installed. The installation hardware is adjustable so that you achieve these tolerances. It also allows for clearance over any finished floor covering. Your bifold is purchased on the basis of a nominal size which is slightly larger than the actual size of the bifold.

### Standard Finished Opening Dimensions for 79" Panel Height

24" x 80-3/4"	48" x 80-3/4"
30" x 80-3/4"	60" x 80-3/4"
32" x 80-3/4"	64" x 80-3/4"
36" x 80-3/4"	72" x 80-3/4"

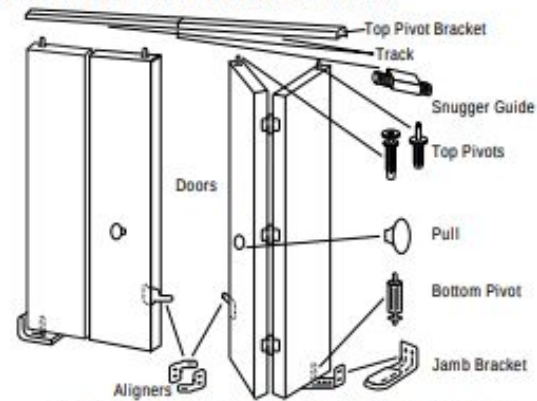
(width x height)

**NOTE:** The above chart reflects standard finished openings only. It does not indicate stock availability. Not all sizes are available in all markets as a stock item. Some sizes are only available through special order. **Use two bifold units for 48 inch, 60 inch, 64 inch, or 72 inch wide finished openings.**

## EXISTING FINISHED OPENING

If your finished opening is non-standard and you cannot fit your bifold into this opening, you will need to contact the Menards store so that a custom-sized bifold can be ordered.

**HARDWARE:** These bifolds are hinged with 1" top track, with top pivot bracket supplied. Hardware packs containing all hardware necessary for installation are polybagged complete with instructions.



Double bifold units can be mounted together for openings up to 72" wide