

# Life Lesson Guide

for 4-6 years old

(5 Oct 2014)

**Life Question:** How to be like a little child?

**Leader's Key:** Always do the right thing

**Intro:** "Let the little children come to me."

As Jesus was teaching, people started to bring their children to him so that he could touch them. The disciples didn't like these children interrupting Jesus and his. They told the people to get the children away. When Jesus saw what they were doing, he was very upset. "Let the children come to me, and do not stop them," Jesus said. "The kingdom of heaven belongs to such as these little ones." Then Jesus took the children in his arms and blessed them.

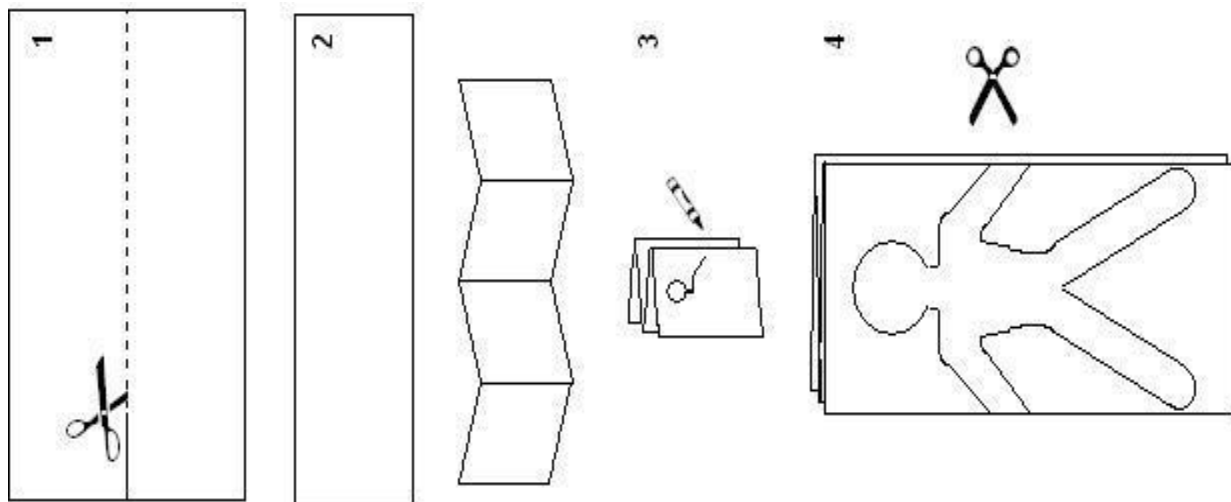
**Segment 1 :** Coloring



## Segment 2 : Making paper doll chain

Instructions:

1. Take a piece of paper (8.5" x 11") and cut it lengthwise.
  2. Fold it into quarters accordion (pleated) style.
  3. Draw a figure of a person on the top layer. Be sure that the arms extend beyond the edge of the folded sheet. You can draw your own figure or use these printable templates.
  3. Cut the figure out and unfold. You will get a chain of dolls holding hands.
- Optional: Decorate the figures with eyes, nose, mouth, hair and clothes!**  
To have more dolls in your chain, use a larger sheet of paper and fold more pleats before cutting. Or, use more than one sheet of paper and connect the figures with tape.



## Prayer:

"Dear Jesus, we are made by you and thanks for loving us. Children are matters to God and God cares for us. Thanks for your words:" Let the little children come to me. Don't keep them away. The kingdom of heaven belongs to people like them" - Matthew 19:14" Thanks for our daddy & mommy, thanks for bringing us to church. Thanks for our teachers for teaching us God's words. In Jesus ` name we pray. Amen."