

2-1 Basic CAD Practice

1. Create a new document in OnShape
2. In that Document, create 3 part files. You should have 3 tabs at the bottom of your screen when you're done. Label the tabs Problem Set A, Problem Set B, Problem Set C.
3. Choose one drawing from each problem set below and draw them in the appropriate tab. You may substitute one of your drawings for the Challenge Drawing.
4. Show Mr. Slagle when you're finished.

Problem Set A

230

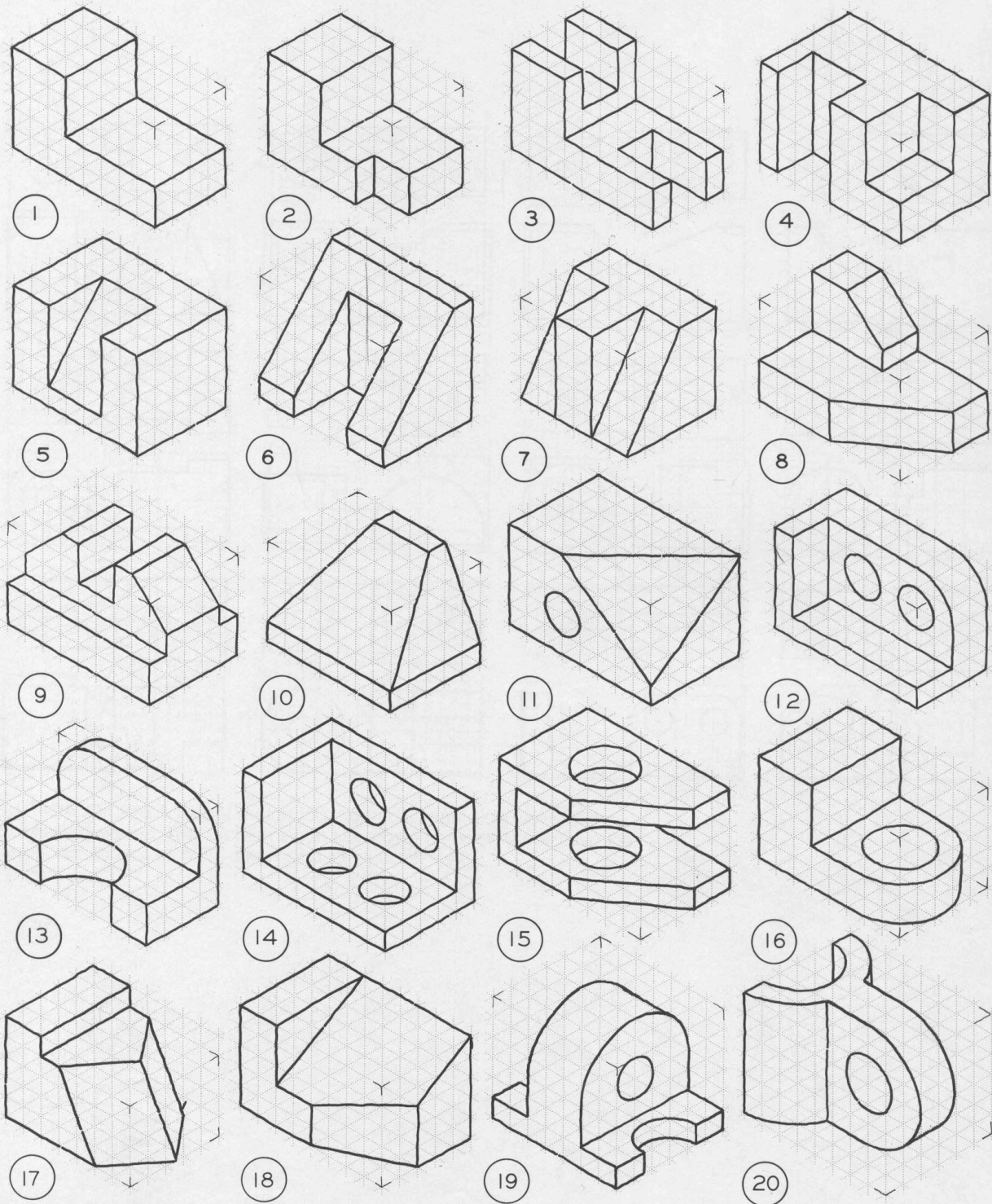
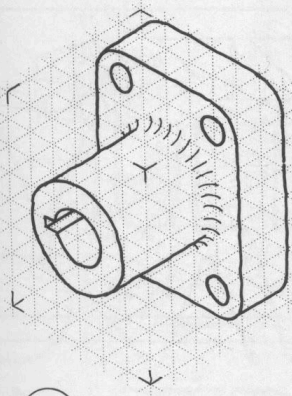


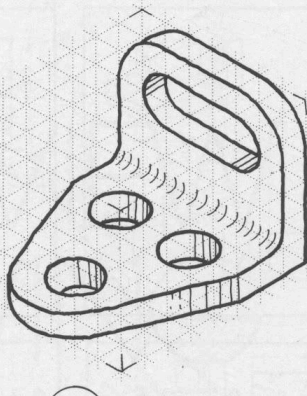
Fig. 13.30 Multiview problems and isometric sketching

On Size A paper, sketch the top, front, and right-side views of the problems assigned. Supply the lines that may be missing from all views. Then sketch isometric pictorials of the object assigned, two per sheet.

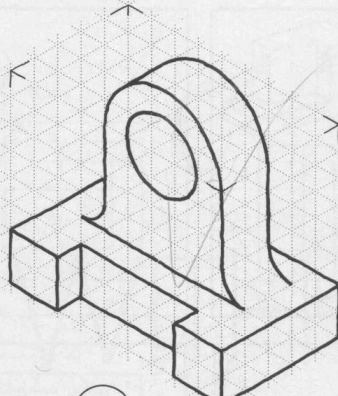
Problem Set B



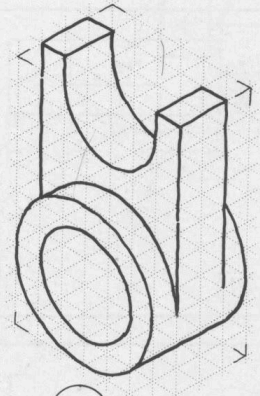
21



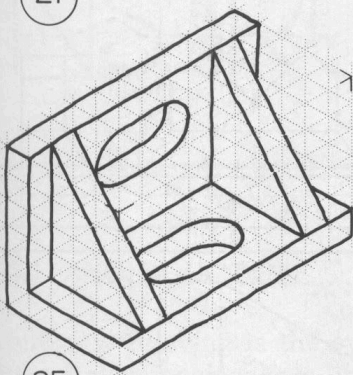
22



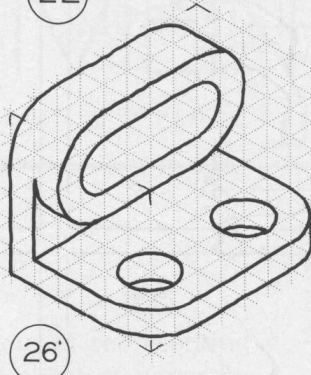
23



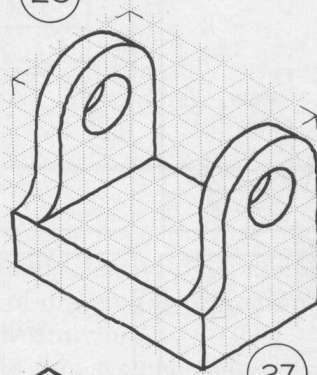
24



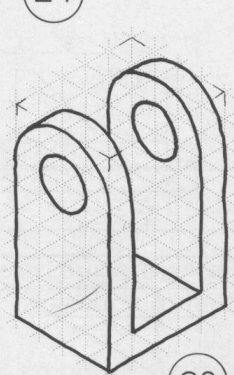
25



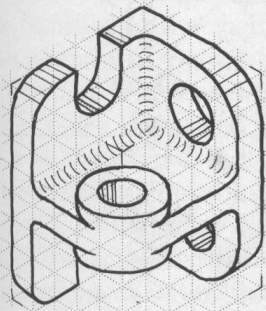
26



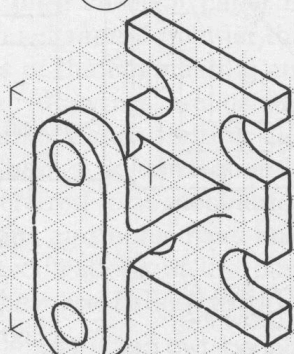
27



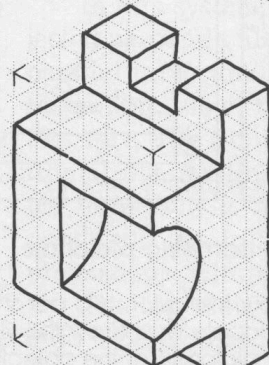
28



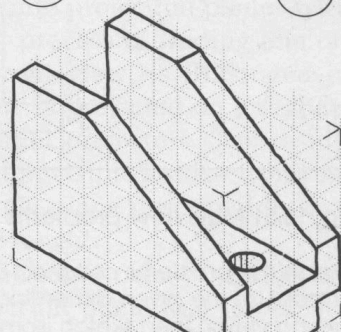
29



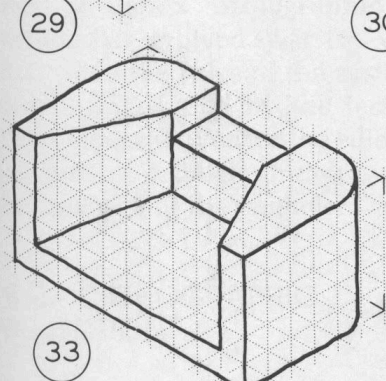
30



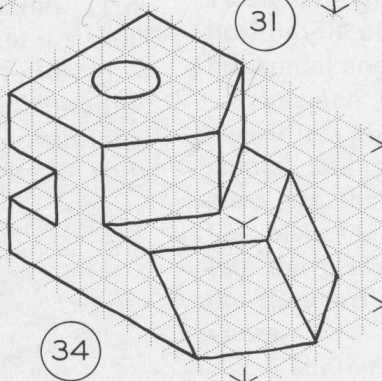
31



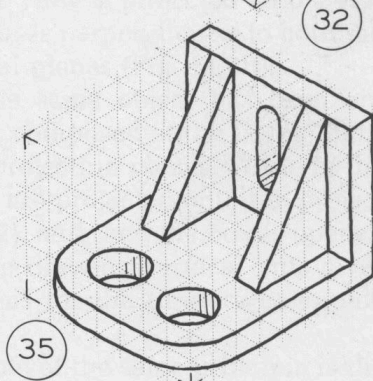
32



33



34



35

Problem Set C

