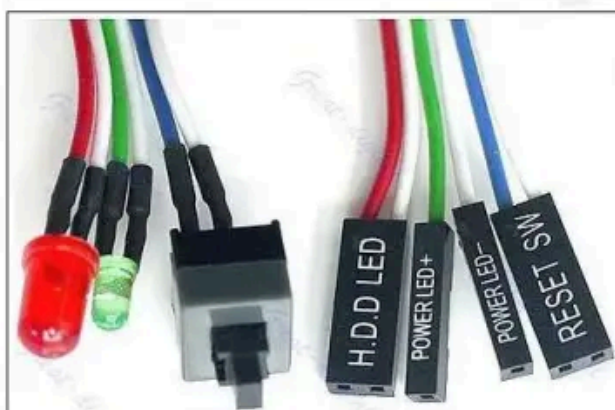
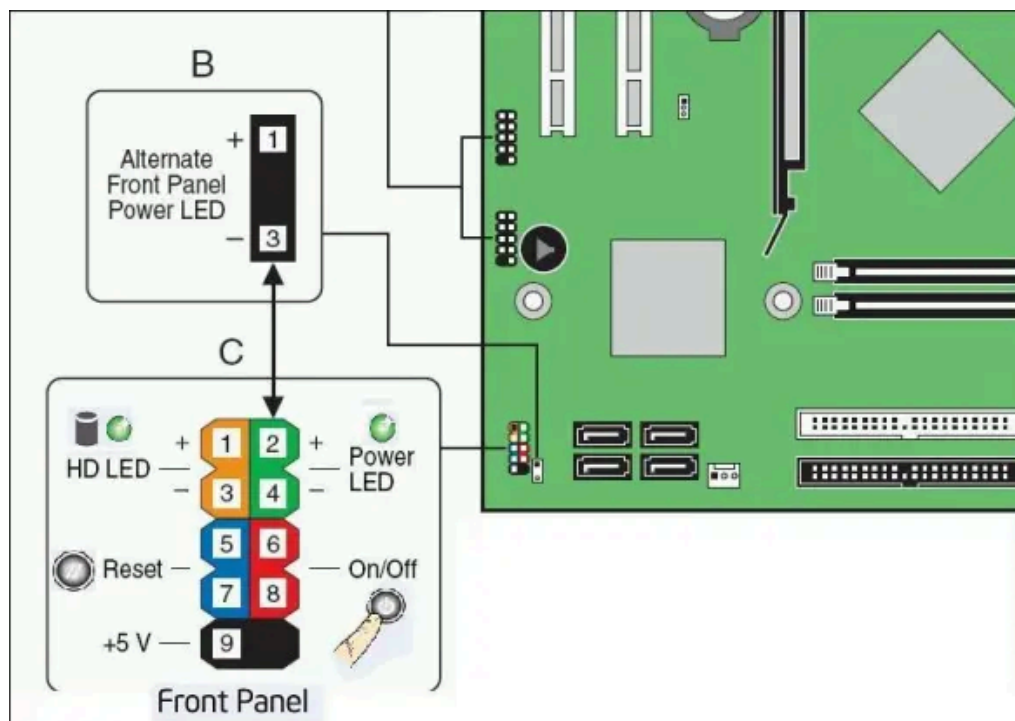
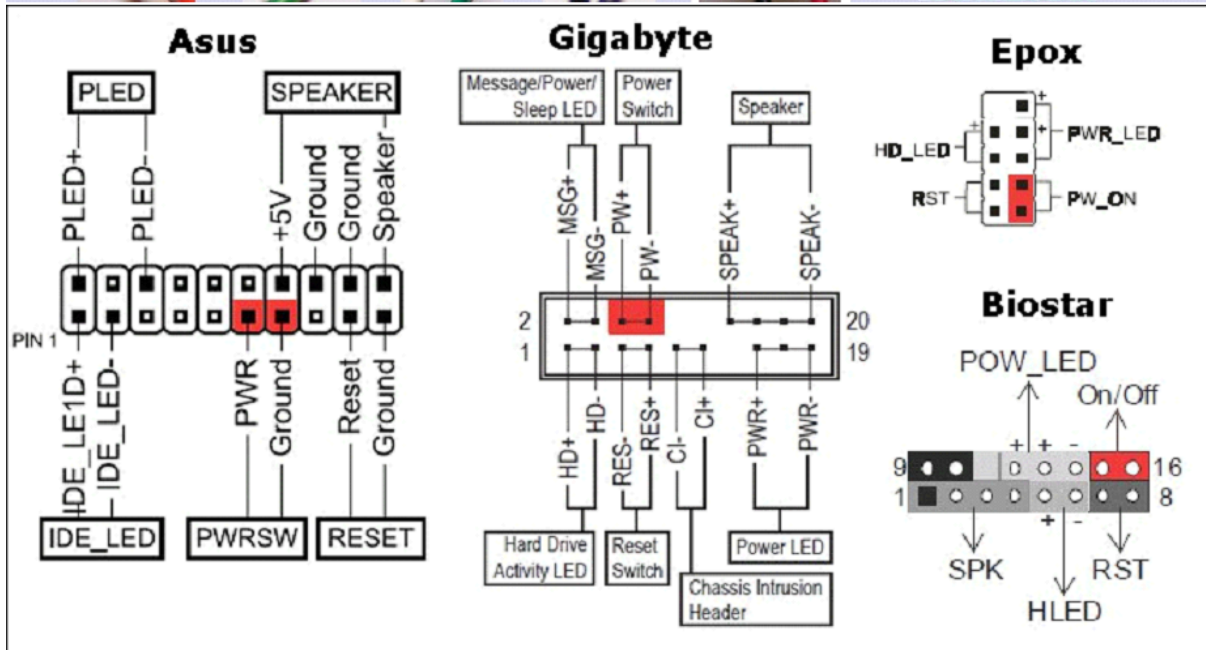
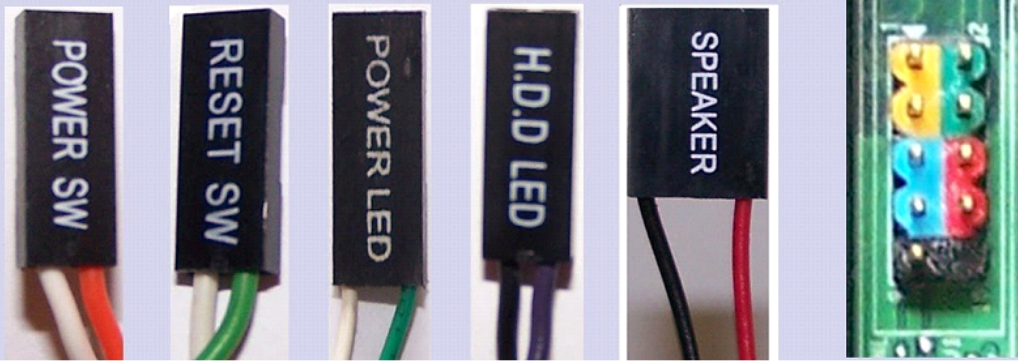


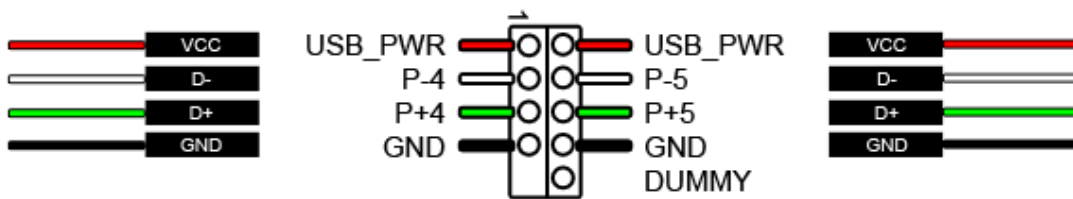
# Les normes de fixation du front panel en fonction des marques



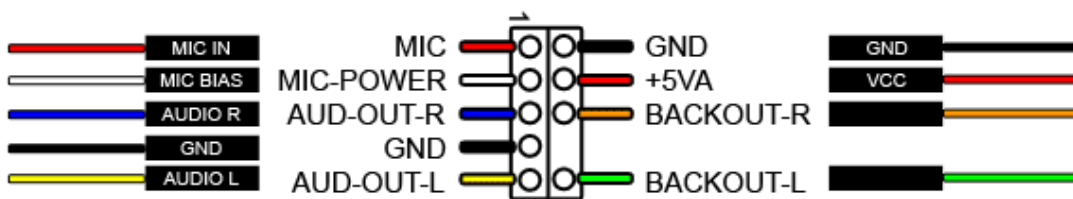
# HOW TO CONNECT FRONT PANEL CONNECTORS TO THE MOTHERBOARD



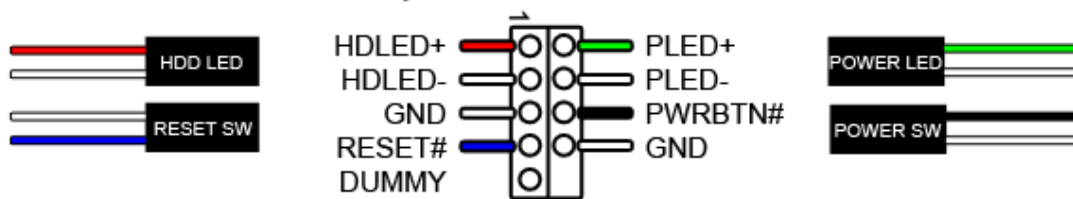
### USB 2.0 Header



### Front Panel Audio Connector



### System Panel Connector



**SAMPLE** The names and colors of connectors can be different. This is just an example.