

# Acacia Supasleek

*American Standard*

AcaciaSS Concealed B&S Mixer  
3-way(APAC)  
1131310000



## FEATURES

- A grade brass, strong and durable
- High quality ceramic valve for longer usage
- Ceramic cartridge tested = 500,000 times
- With Ceramic 3-way diverter cartridge
- Zn die casting escutcheon, chrome finish
- Without spout & shower kits
- With normal packaging
- Flow rate @ 0.1MPa: 11.5 L/min for spout outlet
- Flow rate @ 0.1MPa: 12.2 L/min for shower outlet

## SPECIFICATIONS

- Concealed bath & shower mixing valve
- 1-hole installation: lever handle (cold & hot)
- Escutcheon size: 182.5x117mm

## FINISHES AVAILABILITY

Chrome (- CP)

## AWARDS WON

- N/A

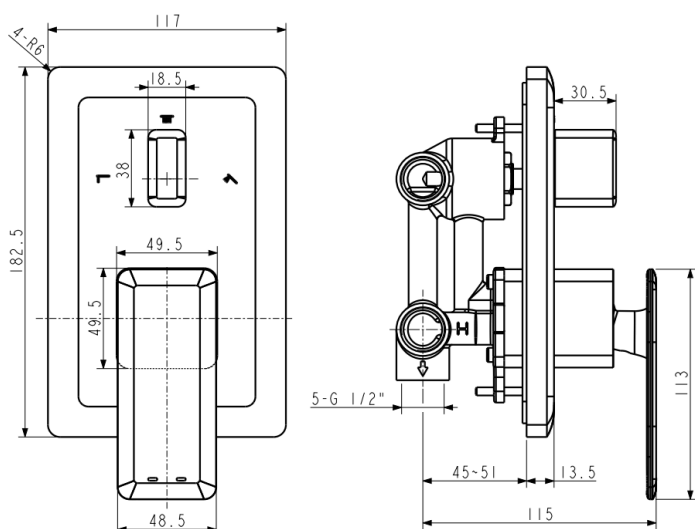
## SHIPPING WEIGHT

- Product gross weight: 2.45kg /set
- Product net weight: 2.25kg /set

## STANDARDS CRITERIA

- GB 18145-2014

## DIMENSIONAL DRAWING



---

This document is the property of American Standard. It can neither be reproduced, nor communicated, without authorization.  
American Standard reserves the right to change dimensions and specifications without notice, we assume no liability for the use of obsolete dimensions.