



Republic of the Philippines
 Department of Education
 Region IV-A CALABARZON
 DIVISION OF GENERAL TRIAS CITY



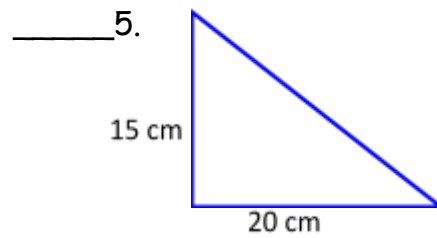
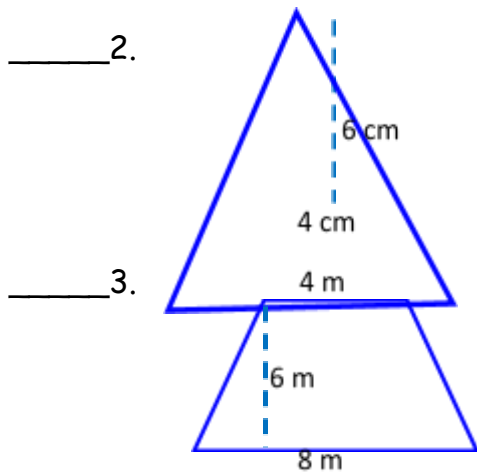
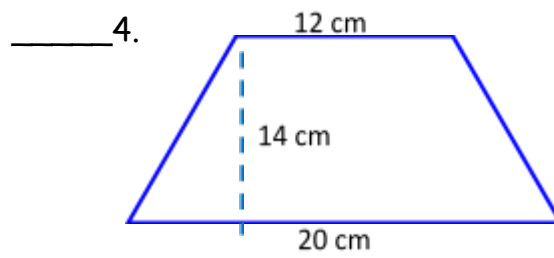
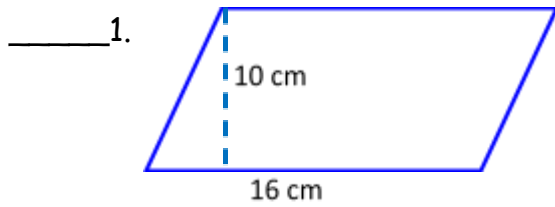
BELVEDERE ELEMENTARY SCHOOL
 MATHEMATICS IV
 FORTH QUARTER

Name: _____
 Section: _____

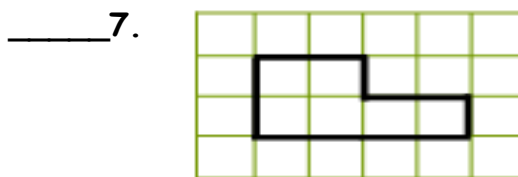
Score: _____
 Date: _____

Direction: Read each question/problem carefully, compute if necessary and write the letter of the correct answer.

I. Find the area of the following figures. (Use separate sheet for your solutions)



II. Estimate the area of each figure below. $\square = 1 \text{ cm}^2$



III. Read each problem then, answer the questions that follow.

A rice field has the shape of a parallelogram. It has a base of 45 meters and a height of 30 meters. What is the area of the rice field?

8. What is asked for in the problem? _____

9. What facts are given? _____

10. What is the formula to solve the problem? _____

11. How is the solution done? _____

12. What is the complete answer? _____

A flower garden has the shape of a triangle. The length of its base is 8 meters and its height 6 meters. What is the area of the flower garden?

13. What is asked in the problem? _____

14. How is the solution done? _____

15. What is the complete answer? _____

IV. Write TRUE if the statement is true and FALSE, if not.

____ 16. The amount of space inside an object is called the volume of the object.

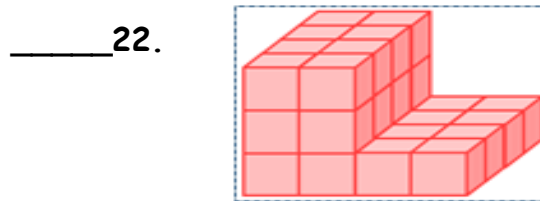
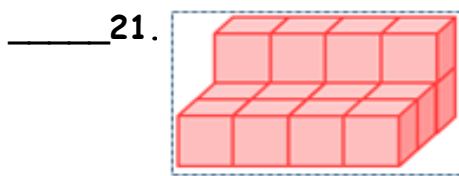
____ 17. Volume is measured in square units.

____ 18. To find the volume of a rectangular prism, multiply the length, width, and height.

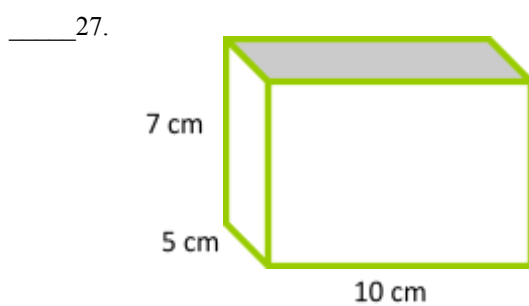
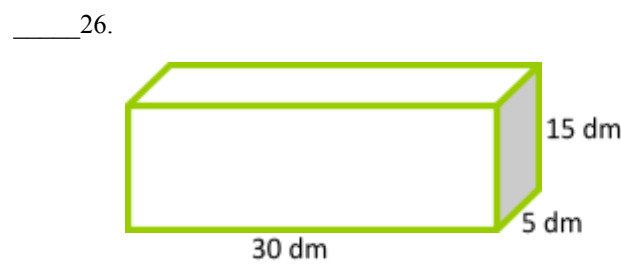
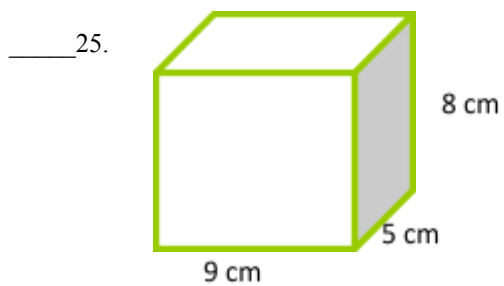
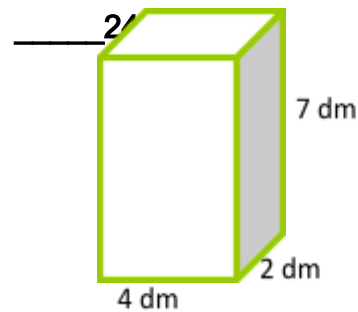
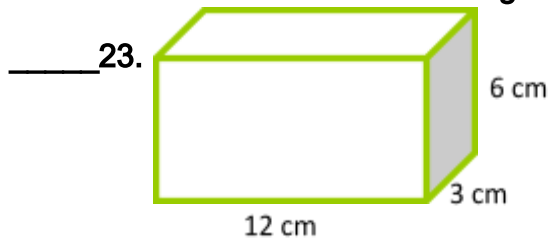
____ 19. Objects with different shapes can have the same volume.

____ 20. When the non-standard unit used is small, few units are needed to fill a container. When the non-standard unit used is bigger, more units are needed to fill the container.

V. Find the volume of the following prisms.



VI. Find the volume of each solid figure below. (Use separate sheet for your solutions)



VII. Read and analyze the problem below. Answer the questions that follow.

Alyanna has a box measuring 25 cm long, 20 cm wide and 20 cm high. If she will store rice in it, how many cubic centimeter of rice will it contain?

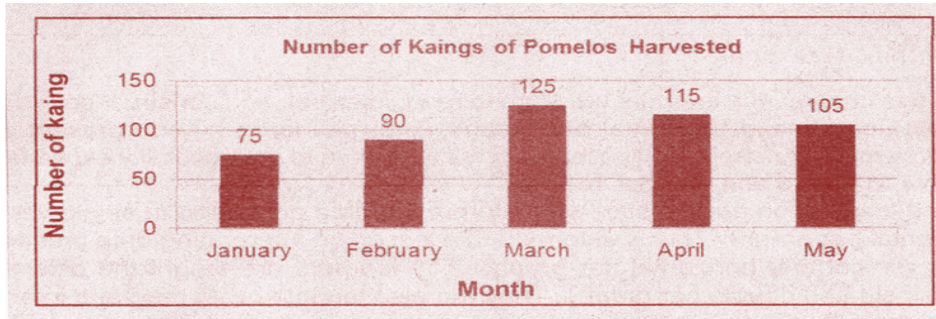
28. What is asked in the problem?

- A. The cubic centimeter of rice will the box contain.
- B. The number of box.
- C. The favorite box of Alyanna.
- D. The kilo of rice will the box contain

29. What are the given facts in the problem?

- A. 25 cm, 20 cm
- B. $l=20$ cm, $w=20$ cm, $h= 25$ cm
- C. $l=25$ cm, $w=20$ cm, $h= 20$ cm
- D. none of these

VIII. For item numbers 30-33, study the graph below. Answer the questions that follow.



____ 30. What month registers the most number of kaing of pomelos harvested?

- A. May
- B. March
- C. January
- D. February

____ 31. What is found in vertical axis?

- A. May
- B. March
- C. January
- D. February

____ 32. How many more kaings are harvested in March than in April?

- A. 5 Kaings
- B. 15 Kaings
- C. 10 Kaings
- D. 20 Kaings

____ 33. 36. What is the total number of kaings of pomelos harvested in 5 months?

- A. 500
- B. 505
- C. 510
- D. 515

____ 34. A number from 1 to 5 is chosen at random. What is the probability of choosing any of the number?

- A. $1/5$
- B. $2/5$
- C. $5/5$
- D. $3/5$

____ 35. Which of the following is a probability experiment?

- A. Choosing a marble from a jar
- B. rolling a single 6-sided dice
- C. tossing a coin
- D. all of the above

IX. Construct a vertical bar graph with the given data in the table below. (36-40)

Number of Students	Scores
A	90
B	85
C	80
D	70