

Toyota car manuals - Every Manuals

Toyota vehicles are famous for their reliability and longevity. However, even the most reliable cars require proper maintenance and occasional repairs. Every Manuals aims to be your one-stop resource for all things Toyota manuals, giving you the knowledge and information needed to keep your beloved car running smoothly for miles to come.

BAND:[Car repair manuals online - Every Manuals](#)

Pearlree:[Car repair and workshop manuals - Every Manuals](#)

Twitter:[Car service repair manuals - Every Manuals](#)

Youtube:[Car manuals - Every Manuals](#)

Scoop:[Every Manuals](#)

Google My Maps:[Every Manuals USA](#)

Google site view:[Every Manuals](#)

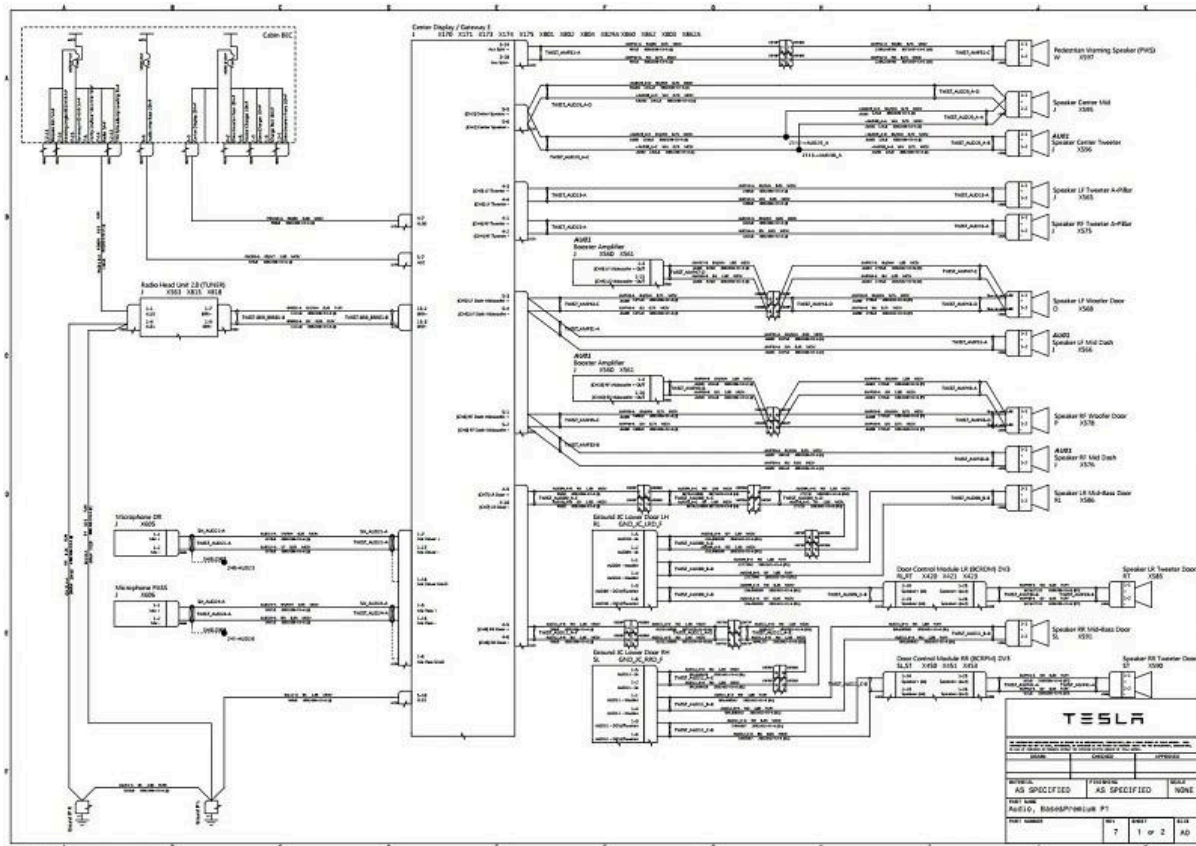
Drive folder image:[Every Manuals](#)

Google Sheet link:[Every Manuals](#)

Drive Folder:[Every Manuals](#)

website:[Every Manuals](#)

[Heavy equipment guide - Every Manuals](#)



Unleashing the power of Toyota-specific manuals

While generic car manuals can offer basic guidance, understanding the intricacies of your specific Toyota model is key to optimal vehicle care. Each Manual goes beyond generic resources and offers a dedicated approach to Toyota vehicles with numerous benefits:

Model-Specific Manuals: Find manuals tailored to your exact Toyota model, from classic Corollas to the latest hybrid advancements like the Prius.

Detailed and accurate information: Access information specific to your car's engine, transmission and other components, ensuring accurate repair and maintenance practices.

Step-by-Step Guide: Each manual prioritizes clear, concise instructions accompanied by helpful diagrams and illustrations, making even complex repairs understandable.

Community Support: Take advantage of the Every Manuals community forum to connect with other Toyota owners, ask questions, and share experiences. This forum fosters a sense of community and collective learning.

Benefits of using Toyota manuals in all manuals

Choosing Toyota manuals from Every Manuals has several advantages that enhance your car ownership experience:

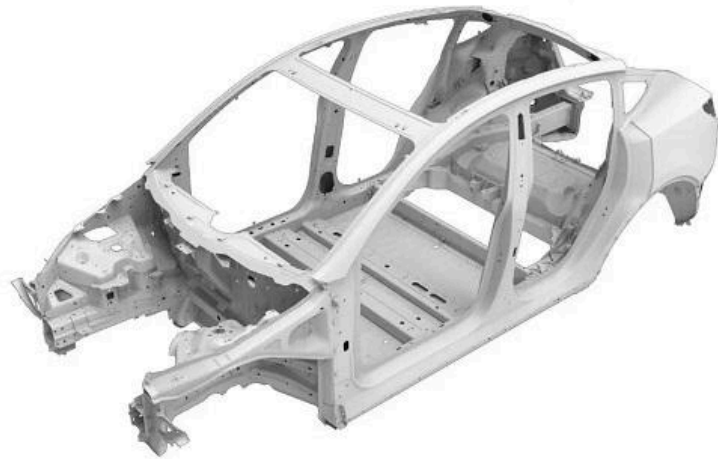
Convenience and Accessibility: Access manuals from any Internet-connected device, eliminating the need for bulky paper manuals and ensuring information is always at your fingertips.

Cost-Effective Solutions: Many Toyota manuals at Every Manuals are free or offered at affordable prices, making car care accessible and affordable.

Improved Understanding: Working with specific Toyota manuals encourages a deeper understanding of your car's unique features and functionality. Knowing your car better will allow you to make informed decisions about its upkeep and maintenance.

- Model Y Collision Repair Procedures
 - ✓ General Information
 - Recent Changes In This Manual
 - ✓ General Repair Guidelines
 - ✓ Approved Parts, Tools, and Supplies
 - ✓ Part Repairability Guidelines
 - ✓ Reference Information
 - ✓ Body Side Panels
 - ✓ Center Under Body Panels
 - ✓ Front Inner Panels
 - ✓ Rear End Panels
 - ✓ Rear Quarter Inner Panels
 - ✓ Rear Under Body - 1 Piece Casting
 - ✓ Rear Under Body - 2 Piece Casting
 - ✓ Roof Panels

Model Y Collision Repair Procedures



Finding the right Toyota manual in all manuals

Every Manuals makes it easy to navigate Toyota's extensive library of manuals:

Visit the Every Manuals Website: Navigate to the Every Manuals website and go to the "Automotive Manuals" section.

Select Toyota - Choose "Toyota" from the list of car brands.

Choose your model: Select the year and variant of your specific Toyota model.

Browse Available Manuals: You'll see a list of available resources, including owner's manuals, service manuals, and various repair guides.

Choose the right manual: Decide the type of manual that best suits your needs, considering the level of detail, repair approach and format (digital or physical).

Each manual allows you to care for your Toyota with confidence with accurate and complete manuals. Whether it's routine maintenance or specific repairs, our available resources ensure the reliability and performance of your vehicle. While Every Manuals provides valuable support, remember to consult a qualified mechanic for complex repairs. With Every Manuals, enjoy an informed and empowered Toyota ownership experience.

Contact info

Every Manuals

Email: admin@everymanuals.com

Website: <https://everymanuals.com/>

#everymanuals #manualspdf

Related article links:

[Heavy construction books online - Every Manuals](#)

[Construction manual - Every Manuals](#)

[Electric forklift truck manual - Every Manuals](#)

[Heavy equipment guide - Every Manuals](#)

[Construction manual heavy lifting - Every Manuals](#)

Follow our other social media pages:

<https://sites.google.com/view/everymanuals>

<https://www.youtube.com/@everymanuals/about>

<https://twitter.com/everymanuals>

<https://www.pearltrees.com/everymanuals>

<https://band.us/band/91679536>

<https://everymanuals.webflow.io/>

<https://www.blogger.com/profile/08586548105984840586>

<https://everymanuals.mystrikingly.com/>

<https://www.pinterest.com/everymanuals/>

<https://www.linkedin.com/in/everymanuals/>

<https://everymanuals.webflow.io/>
<https://everymanuals.weebly.com/>
<https://everymanuals.blogspot.com/>
<https://www.scoop.it/u/everymanuals-com-gmail-com>

Follow our other latest pages:

https://docs.google.com/spreadsheets/u/0/d/10boBkw_JgsJHVYsQTRsYPQepezC0nd2KutC0ixCzRz/s/pub
<https://docs.google.com/document/u/0/d/12c7wcEYxo7PIW1132H-EJwpS1L8maT4LY5cqtuCEGsQ/pub>
https://docs.google.com/document/u/0/d/1BA7DSZM_yFiZOPGhwNP0Ogr8qU9qpHQ_ZjXcSn5D28/pub
https://docs.google.com/document/u/0/d/1xcNWw-8ggad71VZ_FO64swAyrv13WnOd-FHkK4dBUFK/pub
<https://docs.google.com/document/u/0/d/1tXrvuYtUsesA43HaNZM58Z7GRLB7URlrwZIVnuGPyVg/pub>
https://docs.google.com/document/u/0/d/15llqQhrP5LPc5C_6Hi_GtKNL-fC7aut155wE1G4Ci4/pub
https://docs.google.com/spreadsheets/u/0/d/1fwoonMNfd8I3uPrazexdjGnleZtphTHqbKQ650_Fzxp/pub
<https://docs.google.com/presentation/d/1NkM9vyTnKA242A6tMHj0GaNBJgy5T5v1Jt-CZvPnEql/pub?start=false&loop=false&delayms=3000&slide=id.p>
https://docs.google.com/forms/d/e/1FAIpQLScmvW_IFQjmcWTUvNRHT8uz5gWO_v2gOblznR-cfixs_ssrPQ/viewform
https://docs.google.com/document/u/0/d/1fKy-GeWdBEiCT04YLZC3z36k6daqhf9_AE2HSCnVITI/pub
https://docs.google.com/document/u/0/d/1QK1wuyUdVb2LzbH6mSzV-Pdk_Z9I3Gz99RDuEtta_q0/pub
<https://docs.google.com/document/u/0/d/1d-PFrfEKfMkDM5oPx8UVKvX5xjz4w-YrvMSHNobsfMw/pub>
<https://docs.google.com/document/u/0/d/1kjMWS-wrwSmQG9S5I1NKPUKA4dzXRwhiMv0AKNNunEw/pub>
<https://docs.google.com/document/u/0/d/1vrXk3pfQWF6Wc6PFAi9CQ8xud8KcgyalSKZp7hvywrg/pub>
<https://docs.google.com/document/u/0/d/1iwCy6EyTnT06N2q4OSxrURc4fuHr81J7xPia8x1iWtE/pub>
<https://docs.google.com/document/u/0/d/1mYLh6CK-uBi4bQJPOVBtaOQ1k6I3fCgh2r3PMGMdXtQ/pub>
<https://docs.google.com/document/u/0/d/1C9-xZ-Y-uNAhCCn5f8zOEcNhJwZYrrrbL3z69ZZ5-3g/pub>
https://docs.google.com/document/u/0/d/1WiC3a60f7ylrznVeyKrSNSVxOZ8QN2P_PNCz65i2hGE/pub
https://docs.google.com/document/u/0/d/131dTahaJzr_G6BejpW0SO7WLWLH3McfJ59WZrT1W0Zc/pub
<https://docs.google.com/document/u/0/d/1hSijRRMVIUEaDH5pJLzDaaE5Gm78gpsCLtMx5pAFnbA/pub>
<https://docs.google.com/document/u/0/d/1X12yla1-kdpR-aANFawOMRIUU8Eb6uQU7FHwY65ZJAq/pub>
<https://docs.google.com/document/u/0/d/1QkxG8YO1rkNrgmSsAW-5srkxw1bQwO-RwAtmZ3woLmc/pub>
https://docs.google.com/document/u/0/d/1LnP3owi6LoO7sTyadVsHgARwIF7rxul5Sz_LYtd_Axl/pub
https://docs.google.com/document/u/0/d/1ua7k_Llf-I3Gv17wMIXFoZi4VjLNexJRiPBHR-CJ0e/pub

Follow our other locations pages:

<https://bit.ly/3TKL15R>
<https://bit.ly/3v0of9K>
<https://bit.ly/3TjIQ2e>

<https://bit.ly/3uSoELy>

<https://bit.ly/3Tjmeio>

Follow other information pages of Every Manuals:

https://bit.ly/434DScT#every_manuals

https://bit.ly/4cbRPtZ#every_manuals

https://bit.ly/3Tm25Zb#every_manuals

https://bit.ly/3v0WQ7B#every_manuals

https://bit.ly/3V1vYit#every_manuals

https://bit.ly/3T1t62p#every_manuals_usa

https://bit.ly/4bRNwDT#every_manuals

https://bit.ly/3wDqQqM#car_manuals_every_manuals

https://bit.ly/3uLKyAa#car_service_repair_manuals_every_manuals

https://bit.ly/3wC766V#car_repair_and_workshop_manuals_every_manuals

https://bit.ly/3SWkDxH#car_repair_manuals_online_every_manuals

https://bit.ly/3SUdaz4#online_car_service_and_repair_manuals_every_manuals

https://bit.ly/3V2jasm#free_car_service_manuals_every_manuals

https://bit.ly/3SYoFW7#toyota_car_manuals_every_manuals

https://bit.ly/3T2SoNX#car_owner_s_manual_every_manuals

https://bit.ly/4c156oQ#forklift_manual_every_manuals

https://bit.ly/3ulo5y#car_manuals_online_every_manuals

https://bit.ly/4bZ6EzD#automotive_repair_manuals_every_manuals

https://bit.ly/3wCEBGl#forklift_owner_manuals_every_manuals

https://bit.ly/3wCEBWR#car_owner_s_manuals_online_every_manuals

https://bit.ly/4bQqKCW#crane_repair_manual_every_manuals

https://bit.ly/3TiC8td#grove_crane_parts_manual_every_manuals

https://bit.ly/3UVuuGB#maintenance_manual_crane_every_manuals

https://bit.ly/4bUmbAN#crane_parts_manual_every_manuals

https://bit.ly/4c9pFjc#forklift_trucks_service_manual_every_manuals

https://bit.ly/3uK3LIP#service_manuals_for_cranes_every_manuals

https://bit.ly/4bWTOIC#car_repair_manuals_every_manuals

https://bit.ly/3TkhFV#toyota_repair_manuals_every_manuals

https://bit.ly/4bVb8HJ#crane_service_manual_every_manuals

https://bit.ly/3Thif60#construction_machinery_manuals_every_manuals

https://bit.ly/3TiXDdx#guide_to_heavy_equipment_maintenance_every_manuals

https://bit.ly/4bRNA6B#tractor_repair_manual_every_manuals

https://bit.ly/3TiXl0P#heavy_construction_manuals_every_manuals

https://bit.ly/3SZWQNd#heavy_equipment_operation_manual_every_manuals

https://bit.ly/3TiXMO7#heavy_equipment_service_manual_every_manuals

https://bit.ly/3UWJmEJ#heavy_equipment_manual_every_manuals

https://bit.ly/3TiXPcL#heavy_construction_handbook_every_manuals

https://bit.ly/3SZWVA#forklift_training_manual_every_manuals

https://bit.ly/4bRNDPP#heavy_construction_improvement_guide_every_manuals

https://bit.ly/4bRNEDn#online_service_manuals_every_manuals

https://bit.ly/3T38aYW#heavy_construction_books_online_every_manuals

https://bit.ly/3V0FzWH#construction_manual_every_manuals

https://bit.ly/3UZ01Y4#electric_forklift_truck_manual_every_manuals

https://bit.ly/3V4rgAz#heavy_equipment_guide_every_manuals

https://bit.ly/3V0qyLi#construction_manual_heavy_lifting_every_manuals

https://bit.ly/3V020eU#guide_to_heavy_equipment_field_every_manuals

https://bit.ly/3Tiw8Rf#repair_manuals_online_every_manuals

https://bit.ly/3Tk8nsg#auto_repair_manuals_every_manuals

https://bit.ly/3V6vKXD#vehicle_repair_guides_pdf_every_manuals
https://bit.ly/3UVuvu9#car_service_and_repair_manuals_every_manuals
https://bit.ly/3T2r8Pm#manuals_for_every_car_every_manuals
https://bit.ly/3UXHg7l#repair_manuals_for_car_every_manuals
https://bit.ly/3ThifTy#auto_repair_manuals_online_every_manuals
https://bit.ly/3TjIPvc#auto_service_and_repair_manuals_every_manuals
https://bit.ly/3T38cQy#manual_cars_guide_every_manuals
https://bit.ly/3uKrNqt#vehicle_owner_manuals_every_manuals
https://bit.ly/3T38ffc#car_repair_manuals_pdf_every_manuals
https://bit.ly/3Tn9Fmo#vehicle_repair_manuals_every_manuals
https://bit.ly/3T38gzM#automotive_wiring_diagrams_pdf_every_manuals
https://bit.ly/3V166mV#automotive_electrical_repair_manual_pdf_every_manuals
https://bit.ly/3V343Pq#mercedes_repair_manual_pdf_every_manuals
https://bit.ly/3wEsvfN#toyota_workshop_manual_pdf_every_manuals
https://bit.ly/3SWkFWl#toyota_repair_manual_pdf_every_manuals
https://bit.ly/3Tk8qnW#car_repair_manual_pdf_every_manuals
https://bit.ly/3UZ04TK#repair_manual_pdf_every_manuals
https://bit.ly/3UZ05XO#ford_repair_manual_every_manuals
https://bit.ly/3TipeeV#automobile_repair_documents_every_manuals
https://bit.ly/3uQzaD3#hyundai_repair_manual_every_manuals
https://bit.ly/4bXqjQu#forklift_manual_illustrations_every_manuals
https://bit.ly/3Tk6Nq8#the_repair_manual_online_every_manuals
https://bit.ly/4c08aS2#tractor_manuals_every_manuals
https://bit.ly/3T2Sq8x#farm_manuals_every_manuals
https://bit.ly/3SYJxq6#tractor_maintenance_manual_every_manuals
https://bit.ly/3TI1uHc#agriculture_equipment_manuals_every_manuals
https://bit.ly/4bVvnoC#agriculture_repair_manuals_every_manuals

Follow other information pages of Every Manuals:

[Every Manuals](#)
[Every Manuals](#)
[Every Manuals](#)
[Every Manuals](#)
[Every Manuals](#)
[Every Manuals USA](#)
[Every Manuals](#)
[Car manuals - Every Manuals](#)
[Car service repair manuals - Every Manuals](#)
[Car repair and workshop manuals - Every Manuals](#)
[Car repair manuals online - Every Manuals](#)
[Online car service and repair manuals - Every Manuals](#)
[Free car service manuals - Every Manuals](#)
[Toyota car manuals - Every Manuals](#)
[Car owner's manual - Every Manuals](#)
[Forklift manual - Every Manuals](#)
[Car manuals online - Every Manuals](#)
[Automotive repair manuals - Every Manuals](#)
[Forklift owner manuals - Every Manuals](#)
[Car owner's manuals online - Every Manuals](#)
[Crane repair manual - Every Manuals](#)
[Grove crane parts manual - Every Manuals](#)

[Maintenance manual crane - Every Manuals](#)
[Crane parts manual - Every Manuals](#)
[Forklift trucks service manual - Every Manuals](#)
[Service manuals for cranes - Every Manuals](#)
[Car repair manuals - Every Manuals](#)
[Toyota repair manuals - Every Manuals](#)
[Crane service manual - Every Manuals](#)
[Construction machinery manuals - Every Manuals](#)
[Guide to heavy equipment maintenance - Every Manuals](#)
[Tractor repair manual - Every Manuals](#)
[Heavy construction manuals - Every Manuals](#)
[Heavy equipment operation manual - Every Manuals](#)
[Heavy equipment service manual - Every Manuals](#)
[Heavy equipment manual - Every Manuals](#)
[Heavy construction handbook - Every Manuals](#)
[Forklift training manual - Every Manuals](#)
[Heavy construction improvement guide - Every Manuals](#)
[Online service manuals - Every Manuals](#)
[Heavy construction books online - Every Manuals](#)
[Construction manual - Every Manuals](#)
[Electric forklift truck manual - Every Manuals](#)
[Heavy equipment guide - Every Manuals](#)
[Construction manual heavy lifting - Every Manuals](#)
[Guide to heavy equipment field - Every Manuals](#)
[Repair manuals online - Every Manuals](#)
[Auto repair manuals - Every Manuals](#)
[Vehicle repair guides pdf - Every Manuals](#)
[Car service and repair manuals - Every Manuals](#)
[Manuals for every car - Every Manuals](#)
[Repair manuals for car - Every Manuals](#)
[Auto repair manuals online - Every Manuals](#)
[Auto service and repair manuals - Every Manuals](#)
[Manual cars guide - Every Manuals](#)
[Vehicle owner manuals - Every Manuals](#)
[Car repair manuals pdf - Every Manuals](#)
[Vehicle repair manuals - Every Manuals](#)
[Automotive wiring diagrams pdf - Every Manuals](#)
[Automotive electrical repair manual pdf - Every Manuals](#)
[Mercedes repair manual pdf - Every Manuals](#)
[Toyota workshop manual pdf - Every Manuals](#)
[Toyota repair manual pdf - Every Manuals](#)
[Car repair manual pdf - Every Manuals](#)
[Repair manual pdf - Every Manuals](#)
[Ford repair manual - Every Manuals](#)
[Automobile repair documents - Every Manuals](#)
[Hyundai repair manual - Every Manuals](#)
[Forklift manual illustrations - Every Manuals](#)
[The repair manual online - Every Manuals](#)
[Tractor manuals - Every Manuals](#)
[Farm manuals - Every Manuals](#)
[Tractor maintenance manual - Every Manuals](#)
[Agriculture equipment manuals - Every Manuals](#)

[Agriculture repair manuals - Every Manuals](#)