

Project Schedule

Project Title: Wall Hydroponic System Project Schedule

Project Duration : 11 March To 15 April 2026

Sr. No.	Date	Stages	Activity
1.	11March	Objective Finalization	Define project objectives and identify suitable plant species for the hydroponic wall system.
2.	15 March	Site Selection & Measurement	Select the wall location and measure wall height, width, and window position for system installation.
3.		Design Preparation	Prepare layout design including pipe arrangement, pot spacing, and water flow system.
4.		Material List Preparation	Prepare detailed list of required materials such as PVC pipes, pots, pump, tank, and nutrients.
5.		Bill of Materials (BOM)	Estimate quantity and approximate cost of materials required for the system.
6.		Material Procurement	Purchase and collect all necessary materials and equipment.
7.		Fabrication	Cut PVC pipes, drill holes for pots, and prepare the pipe structure.
8.		Installation	Fix pipes on the wall, install water tank and pump, and connect drip lines.
9.		System Testing	Test water circulation, check pump operation, and ensure no leakage.
10.	15 April	Final Setup & Planting	Fill growing media (cocopeat, perlite, vermiculite), plant selected plants, and start system operation.

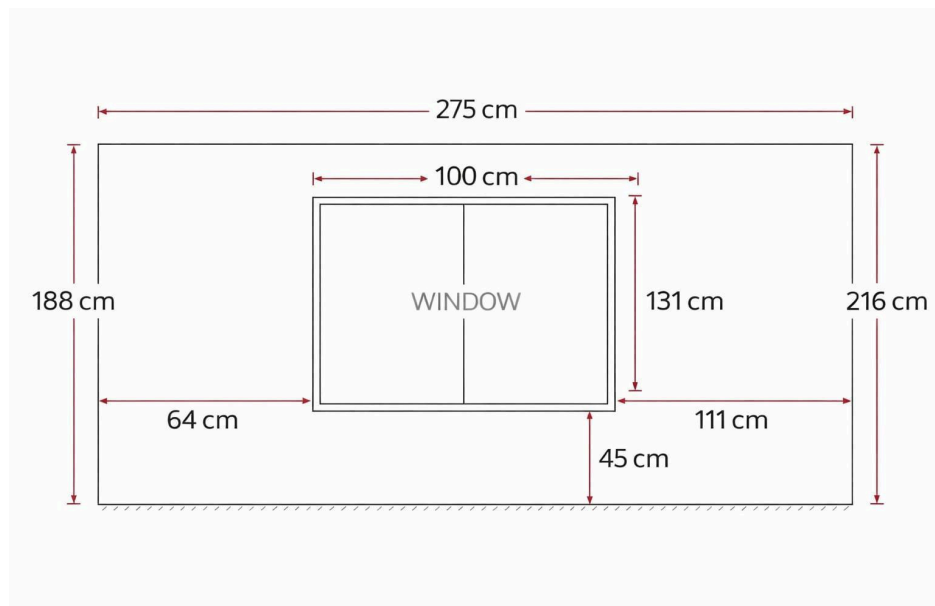
1. Objective :

Installation of a green wall hydroponic system at the VA Director's office.

2. Site Selection & Measurement of Wall :



3. Measurement of Wall :



4. Plant Selection :

- ◆ Aglonema
- ◆ Chrysanthemum
- ◆ Sphagneticola trilobata (Singapore Daisy, Creeping - Oxeye)
- ◆ Creeper (Plant)

