



Platypus License Plate Mount Installation Guide



Table of contents

[Table of contents](#)

[Overview](#)

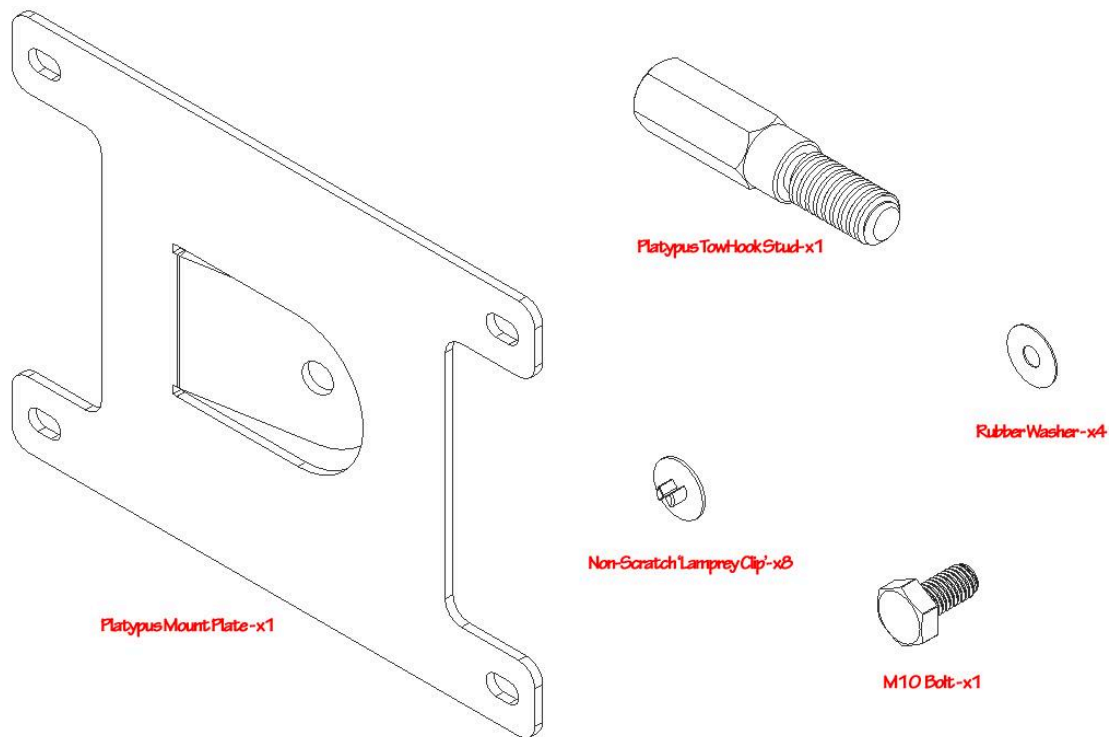
[Installation](#)

[Rubber Washer Technique](#)

Overview

Thank you for purchasing the **Platypus License Plate Mount from CravenSpeed**. This kit is designed to avoid drilling the bumper of your new car by offering an alternative mount for your license plate. Each Platypus is designed and optimized for a particular vehicle. The product is made from the highest grade materials and is **guaranteed to be free from defects**.

The installation time for this product is approximately 10 to 20 minutes, depending on experience and your mechanical abilities. You will need a 17mm wrench and an adjustable crescent wrench for this installation.



It is important to note that there are Platypus Plate Mounting kits for many different vehicles. Please contact CravenSpeed for the appropriate kit for your vehicle.

If you have any problems during installation, please contact the company that sold you this product to work through the problem. When contacting support, please have your order number and vehicle chassis number ready.

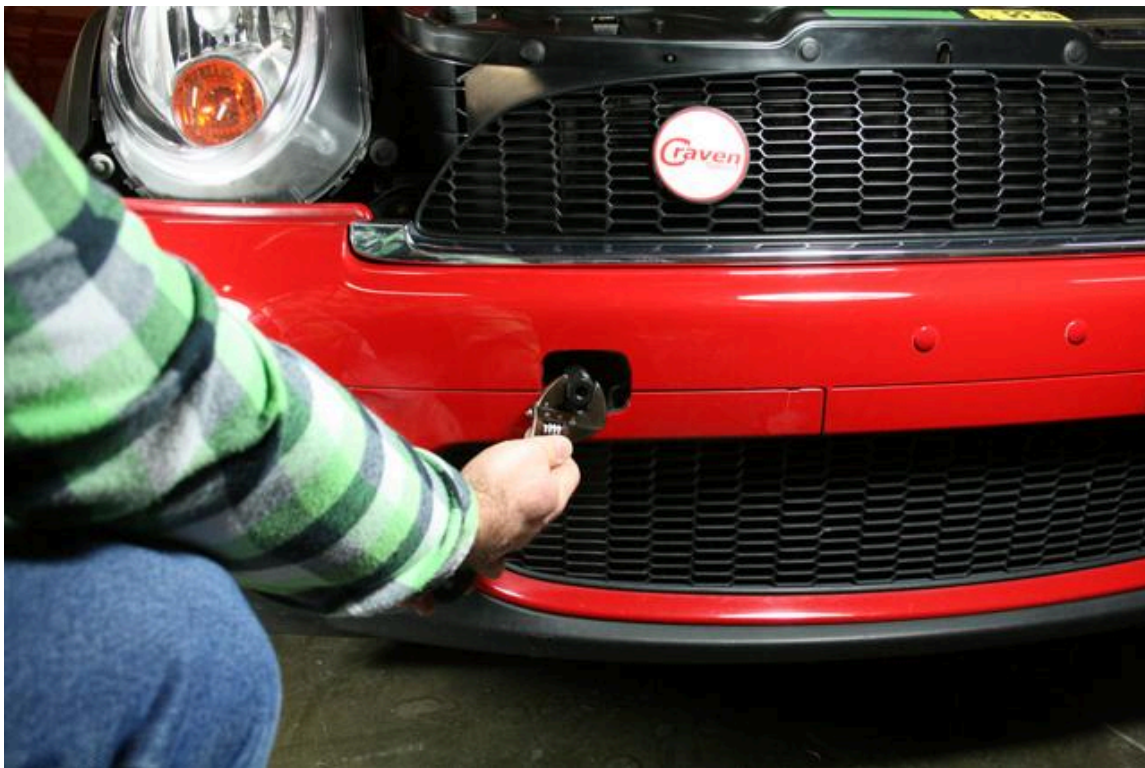
Installation

Remove the small cover from over the tow hook on the front bumper. Use a plastic,

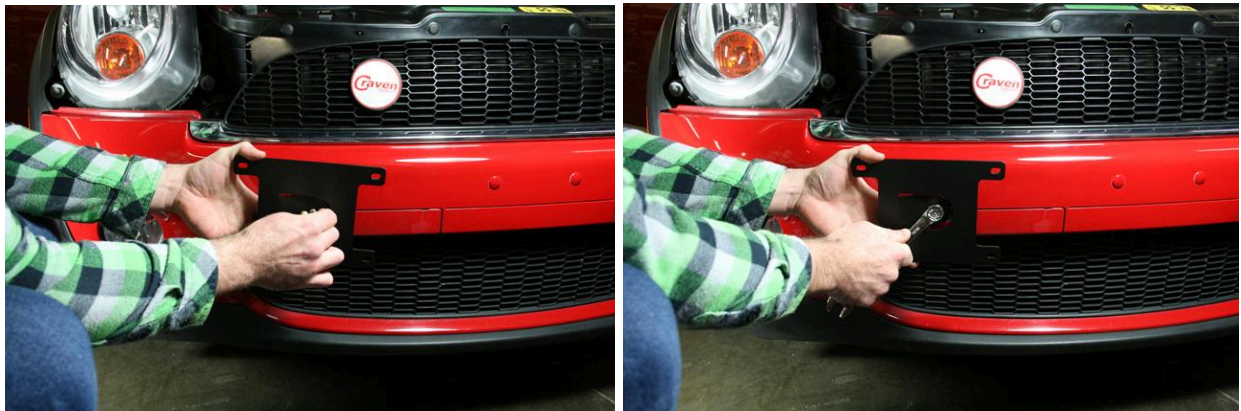
non-scratching pry tool if possible. A regular screw driver, butter knife, or just bare fingers will usually do the trick also.



Screw the Platypus Towhook Stud into the tow eye receptacle using an adjustable wrench.



Put the 10mm bolt through the hole in the Mount Plate and tighten with a 17mm wrench.

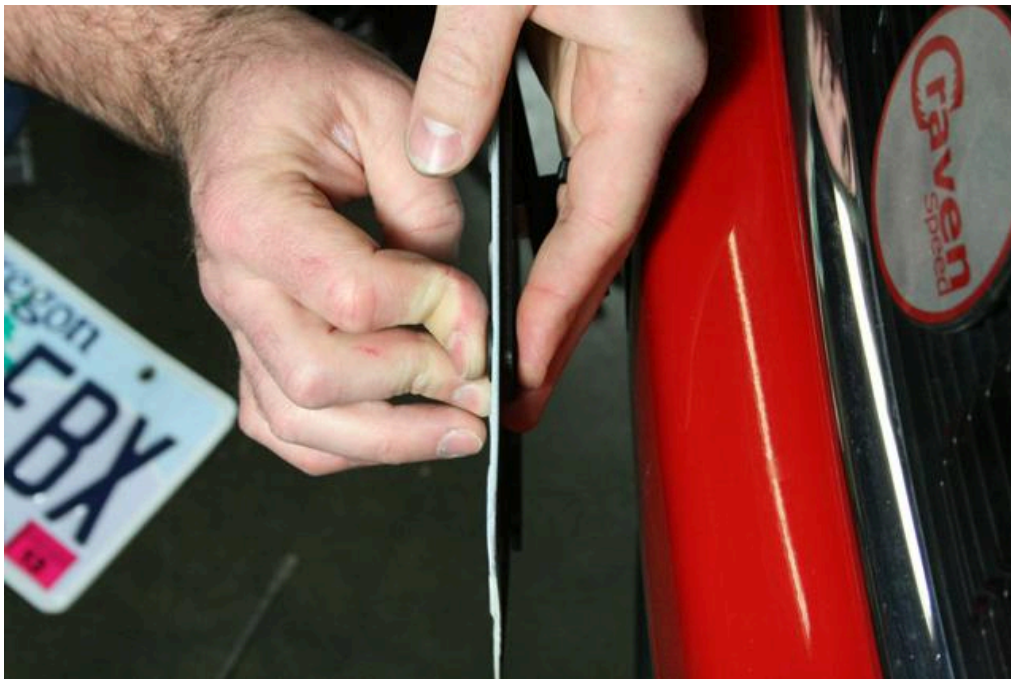


Use the included Lamprey Clips to attach your license plate to the Platypus Mount Plate. Each hole will require 2 Lamprey Clips and 1 Rubber Washer. The rubber washers go between the license plate and the platypus plate mount. Use one lamprey clip behind the plate mount, and one in front of the license plate, then pinch them together through the mounting holes of the plates.



Make sure to go back over each set of Lamprey Clips and make sure there is tension on the

rubber washers. This might take a little force on your part. We recommend using pliers.



Rubber Washer Technique

Here's a tip: place a Lamprey Clip in one of the holes on the front of your license plate and then put a rubber washer on the back of the plate to hold it in place. Repeat for each hole. The rubber washer should hold the Lamprey Clips in place long enough that you can get each one started.





Platypus Plate Mounting kits are available for many different vehicles with more being added weekly. For a complete, up-to-date list of fitment and information, please visit <http://www.cravenspeed.com/the-platypus/> or contact CravenSpeed for the appropriate kit for your vehicle.

503.505.6886