

## **PEDOMAN PENULISAN ARTIKEL SEMINAR NASIONAL RISET TERAPAN INOVATIF KONSORSIUM POLITEKNIK SE-INDONESIA**

**JUDUL ARTIKEL** (capital letter, 12 pt, bold, centered, tidak lebih dari 12 kata)  
(satu baris spasi kosong, 12 point font)

**Penulis Pertama<sup>1)</sup>, Penulis Kedua<sup>2)</sup>, dan Penulis Ketiga<sup>3)</sup>** (12 pt, bold, centered)  
(satu baris spasi kosong, 12 point font)

<sup>1</sup>Jurusan, Institusi (12 pt)

<sup>2</sup>Jurusan, Institusi (12 pt)

<sup>3</sup>Jurusan, Institusi (12 pt)

E-mail: korespondensi@mail.com (12 pt)

(satu baris spasi kosong, 12 point font)

**Abstract** (10 pt, bold, at most 200 words)

(satu baris spasi kosong, 10 point font)

Abstract should be written in English. The abstract is written with Times New Roman font size 10, and single spacing. The abstract should summarize the content of the paper, including problems, the aim of the research, research method, and the results, and the conclusions of the paper. It should not contain any references or displayed equations. The abstract should be no more than 200 words.

(satu baris spasi kosong, 10 point font)

**Keywords:** *up to 5 keywords in English* (10 pt, italics)

(dua baris spasi kosong, 10 point font)

### **PENDAHULUAN**

Template ini digunakan sebagai pedoman penulisan artikel Seminar Nasional Terapan Inovatif (SENTRINOV). Artikel harus memuat **Pendahuluan**, **Metode Penelitian**, **Hasil dan Pembahasan**, **Simpulan**, serta **Daftar Pustaka**. Artikel ditulis dalam Bahasa Indonesia menggunakan jenis huruf Times New Roman, font size 12, spasi 1.5, rata kiri kanan, margin kiri – kanan – atas – bawah masing-masing 3 cm, menggunakan kertas ukuran A4 (210 mm x 297 mm). Panjang naskah maksimum 8 halaman, termasuk gambar dan tabel.

Bagian pendahuluan meliputi: latar belakang, rumusan masalah atau pertanyaan penelitian, dan tujuan penelitian. Penulisan bagian-bagian dari pendahuluan ini tanpa menggunakan subbab/subjudul. Sumber referensi berasal dari sumber-sumber primer (jurnal) terbitan 5 tahun terakhir. Sumber acuan yang dicantumkan di awal kalimat ditulis menggunakan sistem Nama (tahun), sedangkan bila dicantumkan di akhir kalimat

menggunakan sistem (Nama, tahun). Kutipan langsung lebih dari 3 baris, ditulis menggunakan spasi 1, indentasi kiri-kanan.

## METODE PENELITIAN

Metode penelitian setidak-tidaknya menguraikan pendekatan yang digunakan dalam penelitian, populasi dan sampel penelitian, menjelaskan definisi operasional variabel beserta alat pengukuran data atau cara mengumpulkan data, dan metode analisis data.

Apabila alat pengukuran data menggunakan kuesioner, maka perlu dicantumkan hasil uji validitas dan reliabilitas instrumen penelitian.

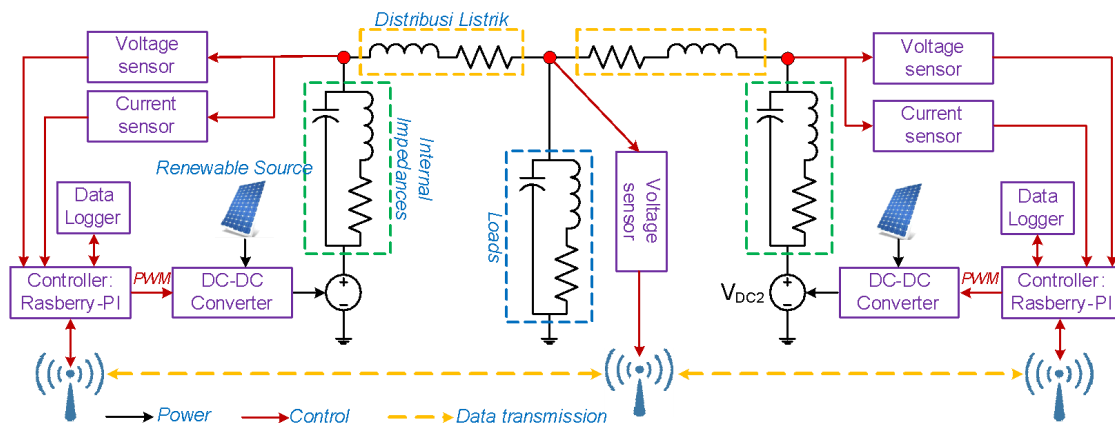
## HASIL DAN PEMBAHASAN

Cara penyajian pada bagian ini dapat dilakukan: 1) pembahasan terpisah dari hasil atau 2) pembahasan menyatu dengan penyajian hasil. Hasil yang dimaksud adalah rangkuman hasil-hasil analisis data, bukan hasil penelitian dalam bentuk data mentah. Hasil analisis data dari software pengolah data statistik, disajikan dengan mengetik ulang dalam tabel yang disesuaikan dengan kebutuhan, *bukan dengan cara meng-copy output hasil analisis*. Contoh penyajian data dalam bentuk tabel seperti Tabel 1.

Tabel 1  
Pengungkapan Tanggungjawab Sosial Perusahaan

Tema	Jumlah Perusahaan	Prosentase (%)
Lingkungan	25	35
Energi	5	7
Kesehatan dan Keselamatan Kerja	17	24
Lain-lain tentang Tenaga Kerja	71	100
Produk	37	52
Keterlibatan Masyarakat	53	75
Umum	53	75

Contoh penyajian data dalam bentuk gambar, grafik dan sejenisnya seperti pada Gambar 1.



Gambar 1. Rancangan uji coba DC Microgrid

## SIMPULAN

Simpulan merupakan ringkasan atas temuan penelitian dan implikasinya. Saran diberikan untuk pengembangan dan penelitian lanjutan.

## DAFTAR PUSTAKA

Daftar pustaka merupakan bagian akhir dari makalah, ditulis dalam urutan alfabetis mengikuti APA Style (<http://www.apastyle.org/>). Susunannya memuat: nama penulis, tahun publikasi, judul paper atau textbook, nama jurnal atau penerbit, dan halaman. Berikut ini beberapa contoh cara penulisan daftar pustaka menurut APA Style.

### Reference List: Author/Authors

#### Two Authors

Wegener, D. T., & Petty, R. E. (1994). Mood management across affective states: The hedonic contingency hypothesis. *Journal of Personality & Social Psychology*, 66, 1034-1048.

#### Three to Seven Authors

Kernis, M. H., Cornell, D. P., Sun, C. R., Berry, A., Harlow, T., & Bach, J. S. (1993). There's more to self-esteem than whether it is high or low: The importance of stability of self-esteem. *Journal of Personality and Social Psychology*, 65, 1190-1204.

#### More Than Seven Authors

Miller, F. H., Choi, M. J., Angeli, L. L., Harland, A. A., Stamos, J. A., Thomas, S. T., . . . Rubin, L. H. (2009). Web site usability for the blind and low-vision user. *Technical Communication* 57, 323-335.

### **Organization as Author.**

American Psychological Association. (2003).

### **Unknown Author**

*Merriam-Webster's collegiate dictionary* (10th ed.)(1993). Springfield, MA: Merriam-Webster.

### **Two or More Works by the Same Author**

Berndt, T. J. (1981).

Berndt, T. J. (1999).

Berndt, T. J. (1999). Friends' influence on students' adjustment to school. *Educational Psychologist*, 34, 15-28.

Berndt, T. J., & Keefe, K. (1995). Friends' influence on adolescents' adjustment to school. *Child Development*, 66, 1312-1329.

Wegener, D. T., Kerr, N. L., Fleming, M. A., & Petty, R. E. (2000). Flexible corrections of juror judgments: Implications for jury instructions. *Psychology, Public Policy, & Law*, 6, 629-654.

Wegener, D. T., Petty, R. E., & Klein, D. J. (1994). Effects of mood on high elaboration attitude change: The mediating role of likelihood judgments. *European Journal of Social Psychology*, 24, 25-43.

### **Two or More Works by the Same Author in the Same Year**

Berndt, T. J. (1981a). Age changes and changes over time in prosocial intentions and behavior between friends. *Developmental Psychology*, 17, 408-416.

Berndt, T. J. (1981b). Effects of friendship on prosocial intentions and behavior. *Child Development*, 52, 636-643.

### **Introductions, Prefaces, Forewords, and Afterwords**

Funk, R., & Kolln, M. (1998). Introduction. In E.W. Ludlow (Ed.), *Understanding English Grammar* (pp. 1-2). Needham, MA: Allyn and Bacon.

## **Reference List: Articles in Periodicals**

### **Article in Journal Paginated by Volume**

Harlow, H. F. (1983). Fundamentals for preparing psychology journal articles. *Journal of Comparative and Physiological Psychology*, 55, 893-896.

### **Article in Journal Paginated by Issue**

Scruton, R. (1996). The eclipse of listening. *The New Criterion*, 15(30), 5-13.

### **Article in a Magazine**

Henry, W. A. (1990, April 9). Making the grade in today's schools. *Time*, 135, 28-31.

**Article in a Newspaper**

Schultz, S. (2005, December 28). Calls made to strengthen state energy policies. *The Country Today*, pp. 1A, 2A.

**Letter to the Editor**

Moller, G. (2002, August). Ripples versus rumbles [Letter to the editor]. *Scientific American*, 287(2), 12.

**Review**

Baumeister, R. F. (1993). Exposing the self-knowledge myth [Review of the book *The self-knower: A hero under control*]. *Contemporary Psychology*, 38, 466-467.

**Reference List: Books****Edited Book, No Author**

Duncan, G. J., & Brooks-Gunn, J. (Eds.). (1997). *Consequences of growing up poor*. New York, NY: Russell Sage Foundation.

**Edited Book with an Author or Authors**

Plath, S. (2000). *The unabridged journals*. K.V. Kukil, (Ed.). New York, NY: Anchor.

**A Translation**

Laplace, P. S. (1951). *A philosophical essay on probabilities*. (F. W. Truscott & F. L. Emory, Trans.). New York, NY: Dover. (Original work published 1814).

Note: When you cite a republished work, like the one above, work in your text, it should appear with both dates: Laplace (1814/1951).

**Edition Other Than the First**

Helfer, M. E., Keme, R. S., & Drugman, R. D. (1997). *The battered child* (5th ed.). Chicago, IL: University of Chicago Press.

**Article or Chapter in an Edited Book**

O'Neil, J. M., & Egan, J. (1992). Men's and women's gender role journeys: Metaphor for healing, transition, and transformation. In B. R. Wainrib (Ed.), *Gender issues across the life cycle* (pp. 107-123). New York, NY: Springer.

**Multivolume Work**

Wiener, P. (Ed.). (1973). *Dictionary of the history of ideas* (Vols. 1-4). New York, NY: Scribner's.

**Reference List: Other Print Sources****An Entry in an Encyclopedia**

Bergmann, P. G. (1993). Relativity. In *The new encyclopedia britannica* (Vol. 26, pp. 501-508). Chicago: Encyclopedia Britannica.

#### **Dissertation Abstract**

Yoshida, Y. (2001). Essays in urban transportation (Doctoral dissertation, Boston College, 2001). *Dissertation Abstracts International*, 62, 7741A.

#### **Government Document**

National Institute of Mental Health. (1990). *Clinical training in serious mental illness* (DHHS Publication No. ADM 90-1679). Washington, DC: U.S. Government Printing Office.

#### **Report from a Private Organization**

American Psychiatric Association. (2000). *Practice guidelines for the treatment of patients with eating disorders* (2nd ed.). Washington, DC: Author.

#### **Conference Proceedings**

Schnase, J. L., & Cunniss, E. L. (Eds.). (1995). Proceedings from CSCL '95: *The First International Conference on Computer Support for Collaborative Learning*. Mahwah, NJ: Erlbaum.

### **Reference List: Electronic Sources (Web Publications)**

#### **Article From an Online Periodical with DOI Assigned**

Brownlie, D. (2007). Toward effective poster presentations: An annotated bibliography. *European Journal of Marketing*, 41(11/12), 1245-1283. doi:10.1108/03090560710821161

#### **Article From an Online Periodical with no DOI Assigned**

Kenneth, I. A. (2000). A Buddhist response to the nature of human rights. *Journal of Buddhist Ethics*, 8. Retrieved from <http://www.cac.psu.edu/jbe/twocont.html>  
Whitmeyer, J. M. (2000). Power through appointment [Electronic version]. *Social Science Research*, 29, 535-555.

#### **Abstract**

Paterson, P. (2008). How well do young offenders with Asperger Syndrome cope in custody?: Two prison case studies [Abstract]. *British Journal of Learning Disabilities*, 36(1), 54-58.

#### **Newspaper Article**

Author, A. A. (Year, Month Day). Title of article. *Title of Newspaper*. Retrieved from <http://www.someaddress.com/full/url/>  
Parker-Pope, T. (2008, May 6). Psychiatry handbook linked to drug industry. *The New York Times*. Retrieved from <http://www.nytimes.com>

#### **Electronic Books**

De Huff, E. W. *Taytay's tales: Traditional Pueblo Indian tales*. Retrieved from <http://digital.library.upenn.edu/women/dehuff/taytay/taytay.html>

Davis, J. *Familiar birdsongs of the Northwest*. Retrieved from <http://www.powells.com/cgi-bin/biblio?inkey=1-9780931686108-0>

### Chapter/Section of a Web document or Online Book Chapter

Author, A. A., & Author, B. B. (Date of publication). Title of article. In *Title of book or larger document* (chapter or section number). Retrieved from <http://www.someaddress.com/full/url/>

Engelshcall, R. S. (1997). Module mod\_rewrite: URL Rewriting Engine. In *Apache HTTP Server Version 1.3 Documentation* (Apache modules.) Retrieved from [http://httpd.apache.org/docs/1.3/mod/mod\\_rewrite.html](http://httpd.apache.org/docs/1.3/mod/mod_rewrite.html)

Peckinpugh, J. (2003). Change in the Nineties. In J. S. Bough and G. B. DuBois (Eds.), *A century of growth in America*. Retrieved from GoldStar database.

### Online Book Reviews

Zacharek, S. (2008, April 27). Natural women [Review of the book *Girls like us*]. *The New York Times*. Retrieved from <http://www.nytimes.com/2008/04/27/books/review/Zachareck-t.html?pagewanted=2>

Castle, G. (2007). New millennial Joyce [Review of the books *Twenty-first Joyce, Joyce's critics: Transitions in reading and culture, and Joyce's messianism: Dante, negative existence, and the messianic self*]. *Modern Fiction Studies*, 50(1), 163-173. Available from Project MUSE Web site: [http://muse.jhu.edu/journals/modern\\_fiction\\_studies/toc/mfs52.1.html](http://muse.jhu.edu/journals/modern_fiction_studies/toc/mfs52.1.html)

### Dissertation/Thesis from a Database

Biswas, S. (2008). *Dopamine D3 receptor: A neuroprotective treatment target in Parkinson's disease*. Retrieved from ProQuest Digital Dissertations. (AAT 3295214)

### Online Encyclopedias and Dictionaries

Often encyclopedias and dictionaries do not provide bylines (authors' names). When no byline is present, move the entry name to the front of the citation. Provide publication dates if present or specify (n.d.) if no date is present in the entry.

Feminism. (n.d.) In *Encyclopædia Britannica online*. Retrieved from <http://www.britannica.com/EBchecked/topic/724633/feminism>

### Online Bibliographies and Annotated Bibliographies

Jürgens, R. (2005). *HIV/AIDS and HCV in Prisons: A Select Annotated Bibliography*. Retrieved from [http://www.hc-sc.gc.ca/ahc-asc/alt\\_formats/hpb-dgps/pdf/intactiv/hiv-vih-aids-sida-prison-carceral\\_e.pdf](http://www.hc-sc.gc.ca/ahc-asc/alt_formats/hpb-dgps/pdf/intactiv/hiv-vih-aids-sida-prison-carceral_e.pdf)

### Data Sets

Point readers to raw data by providing a Web address (use "Retrieved from") or a general place that houses data sets on the site (use "Available from").

United States Department of Housing and Urban Development. *Indiana income limits* [Data file]. Retrieved from [http://www.huduser.org/Datasets/IL/IL08/in\\_fy2008.pdf](http://www.huduser.org/Datasets/IL/IL08/in_fy2008.pdf)

### **Graphic Data (e.g., Interactive Maps and Other Graphic Representations of Data)**

Solar Radiation and Climate Experiment. (2007). [Graph illustration the SORCE Spectral Plot May 8, 2008]. *Solar Spectral Data Access from the SIM, SOLSTICE, and XPS Instruments*. Retrieved from [http://lasp.colorado.edu/cgi-bin/ion-p?page=input\\_data\\_for\\_spectra.ion](http://lasp.colorado.edu/cgi-bin/ion-p?page=input_data_for_spectra.ion)

### **Qualitative Data and Online Interviews**

If an interview is not retrievable in audio or print form, cite the interview only in the text (not in the reference list) and provide the month, day, and year in the text. If an audio file or transcript is available online, use the following model, specifying the medium in brackets (e.g. [Interview transcript, Interview audio file]):

Butler, C. (Interviewer) & Stevenson, R. (Interviewee). (1999). *Oral History 2* [Interview transcript]. Retrieved from Johnson Space Center Oral Histories Project Web site: [http://www11.jsc.nasa.gov/history/oral\\_histories/oral\\_histories.htm](http://www11.jsc.nasa.gov/history/oral_histories/oral_histories.htm)

### **Online Lecture Notes and Presentation Slides**

When citing online lecture notes, be sure to provide the file format in brackets after the lecture title (e.g. PowerPoint slides, Word document).

Hallam, A. *Duality in consumer theory* [PDF document]. Retrieved from Lecture Notes Online Web site: <http://www.econ.iastate.edu/classes/econ501/Hallam/index.html>

Roberts, K. F. (1998). *Federal regulations of chemicals in the environment* [PowerPoint slides]. Retrieved from <http://siri.uvm.edu/ppt/40henv/index.html>

### **Nonperiodical Web Document, Web Page, or Report**

Author, A. A., & Author, B. B. (Date of publication). *Title of document*. Retrieved from <http://Web address>

**NOTE:** When an Internet document is more than one Web page, provide a URL that links to the home page or entry page for the document. Also, if there isn't a date available for the document use (n.d.) for no date.

### **Computer Software/Downloaded Software**

Ludwig, T. (2002). *PsychInquiry* [computer software]. New York: Worth.

Hayes, B., Tesar, B., & Zuraw, K. (2003). *OTSoft: Optimality Theory Software (Version 2.1)* [Software]. Available from <http://www.linguistics.ucla.edu/people/hayes/otsoft/>

### **E-mail**

E-mails are not included in the list of references, though you parenthetically cite them in your main text: (E. Robbins, personal communication, January 4, 2001).



**Online Forum or Discussion Board Posting**

Frook, B. D. (1999, July 23). New inventions in the cyberworld of toylandia [Msg 25]. Message posted to <http://groups.earthlink.com/forum/messages/00025.html>

**Blog (Weblog) and Video Blog Post**

Dean, J. (2008, May 7). When the self emerges: Is that me in the mirror? [Web log comment]. Retrieved from <http://www.spring.org.uk/the1sttransport>. (2004, September 26). Psychology Video Blog #3 [Video file]. Retrieved from <http://www.youtube.com/watch?v=lqM90eQi5-M>

**Wikis**

OLPC Peru/Arahuay. (n.d.). Retrieved from the OLPC Wiki: [http://wiki.laptop.org/go/OLPC\\_Peru/Arahuay](http://wiki.laptop.org/go/OLPC_Peru/Arahuay)

**Audio Podcast**

For all podcasts, provide as much information as possible; not all of the following information will be available. Possible addition identifiers may include Producer, Director, etc.

Bell, T., & Phillips, T. (2008, May 6). A solar flare. *Science @ NASA Podcast*. Podcast retrieved from <http://science.nasa.gov/podcast.htm>

**Video Podcasts**

Scott, D. (Producer). (2007, January 5). The community college classroom [Episode 7]. *Adventures in Education*. Podcast retrieved from <http://www.adveeducation.com>

**Reference List: Other Non-Print Sources****Interviews, Email, and Other Personal Communication**

No personal communication is included in your reference list; instead, parenthetically cite the communicators name, the fact that it was personal communication, and the date of the communication in your main text only.

(E. Robbins, personal communication, January 4, 2001).

A. P. Smith also claimed that many of her students had difficulties with APA style (personal communication, November 3, 2002).

**Motion Picture**

Producer, P. P. (Producer), & Director, D. D. (Director). (Date of publication). *Title of motion picture* [Motion picture]. Country of origin: Studio or distributor.

Note: If a movie or video tape is not available in wide distribution, add the following to your citation after the country of origin: (Available from Distributor name, full address and zip code).

**A Motion Picture or Video Tape with International or National Availability**

Smith, J. D. (Producer), & Smithee, A. F. (Director). (2001). *Really big disaster movie* [Motion picture]. United States: Paramount Pictures.

**A Motion Picture or Video Tape with Limited Availability**

Harris, M. (Producer), & Turley, M. J. (Director). (2002). *Writing labs: A history* [Motion picture]. (Available from Purdue University Pictures, 500 Oval Drive, West Lafayette, IN 47907)

**Television Broadcast or Series Episode**

Producer, P. P. (Producer). (Date of broadcast or copyright). Title of broadcast [ *Television broadcast or Television series* ]. City of origin: Studio or distributor.

**Single Episode of a Television Series**

Writer, W. W. (Writer), & Director, D. D. (Director). (Date of publication). Title of episode [Television series episode]. In P. Producer (Producer), *Series title*. City of origin: Studio or distributor.

Wendy, S. W. (Writer), & Martian, I. R. (Director). (1986). The rising angel and the falling ape [Television series episode]. In D. Dude (Producer), *Creatures and monsters*. Los Angeles, CA: Belarus Studios.

**Television Broadcast**

Important, I. M. (Producer). (1990, November 1). *The nightly news hour* [Television broadcast]. New York, NY: Central Broadcasting Service.

**A Television Series**

Bellisario, D.L. (Producer). (1992). *Exciting action show* [Television series]. Hollywood: American Broadcasting Company.

**Music Recording**

Songwriter, W. W. (Date of copyright). Title of song [Recorded by artist if different from song writer]. On *Title of album* [Medium of recording]. Location: Label. (Recording date if different from copyright date).

Taupin, B. (1975). Someone saved my life tonight [Recorded by Elton John]. On *Captain fantastic and the brown dirt cowboy* [CD]. London, England: Big Pig Music Limited.