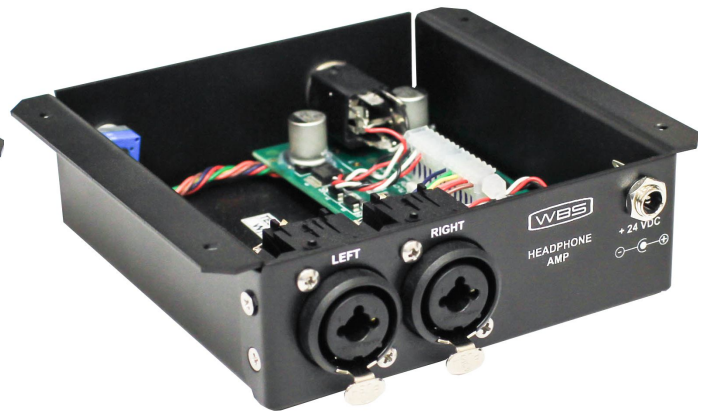
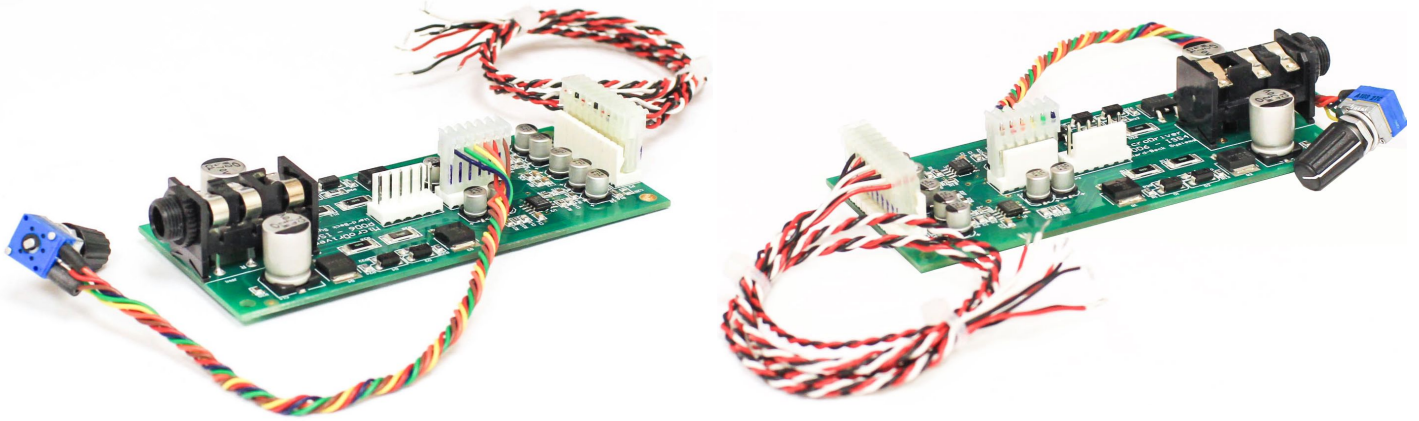


# MICRODRIVER

MINIATURE STEREO HEADPHONE MODULE



by Ward-Beck Systems

Rev: May 18 2016

# MICRODRIVER

## MINIATURE STEREO HEADPHONE MODULE

**This is one of many in our line of top quality, low-cost broadcast problem solvers. The microDrivers are compact, rugged and affordable.**

---

The microDriver is a miniature stereo amplifier on a printed circuit board. Powered from an external +24 Volt source, the unit is designed to drive a stereo headset or small high efficiency speakers. The compact size of the microDriver makes it ideal for integration into third party equipment such as studio panels and consoles, etc.

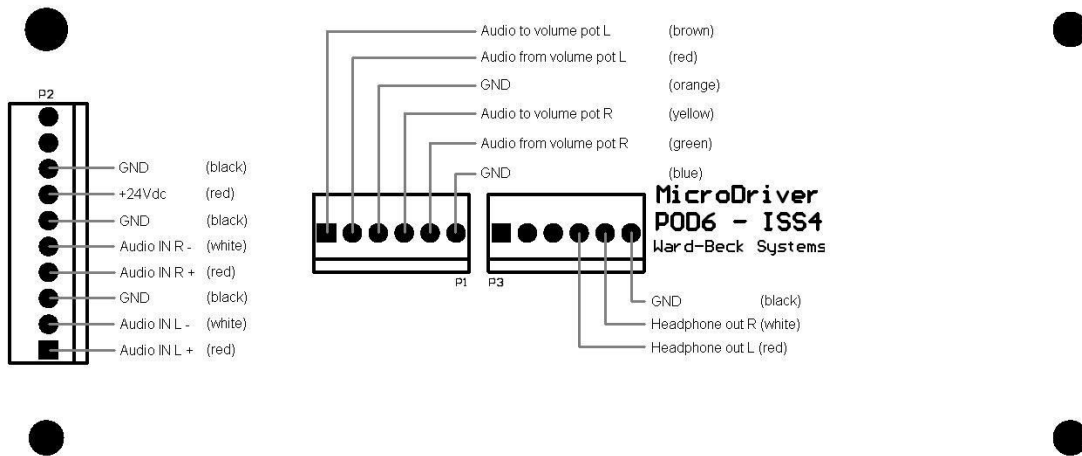
The microDriver is equipped with a standard ¼ inch TRS headset output jack, which may be used to mount the assembly to a metal plate. The microDriver may also be ordered in a factory metal housing as microDriverB, complete with level control, for mounting to studio furniture, such as an announcer's desk.

The microDriverC is another option similar to the microDriverB, but comes complete with two XLR/ ¼ inch TRS audio inputs, a power jack, adaptor and a metal housing.

Connections to the microDriver and microDriverB are via Panduit, crimp type connectors. Two 12 inch umbilicals, terminated with the proper Panduit mating connector type, are supplied as part of the microDriver and microDriverB. The audio and power inputs to these units are via the Panduit connector P2. A 10K dual audio taper potentiometer is provided for volume control on Panduit connector P1.

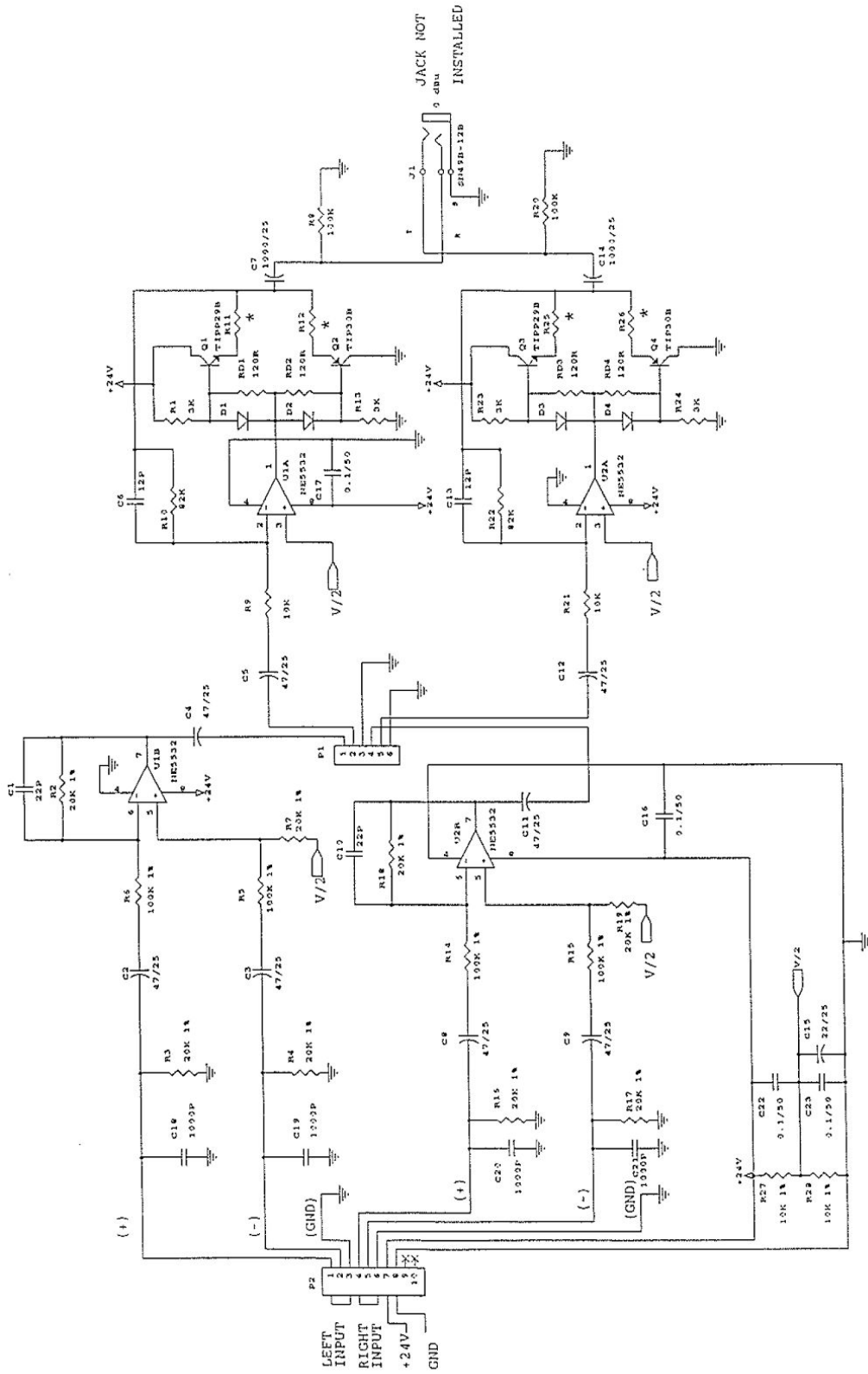
## SPECIFICATIONS

Maximum Output	17 dBu (60Ω)
Output Impedance	10Ω
Frequency Response	±0.2 dB, 20Hz to 20kHz
Noise	better than -85 dBu, 20Hz to 20kHz
THD + Noise	better than 0.05%, 20Hz to 20kHz
Input Impedance	15kΩ, balanced
Stereo Separation	better than 60 dB, 20Hz to 20kHz
Power Requirements	+24 volts DC
Dimensions	144mm x 48mm x 24mm



*Ward-Beck Systems Inc. reserves the right to change performance specifications without prior notice.*

# MICRODRIVER STEREO AMPLIFIER MODULE SCHEMATIC



## **WARRANTY**

All Ward-Beck Systems Inc. products are warranted against defective materials and workmanship for a period of one year from the date of shipment.

Ward-Beck Systems Inc. will repair or replace, at its option and without charge, all said products or parts thereof which upon factory inspection prove to be defective during the warranty period, provided that:

1. The original serial numbers are intact and have not been tampered with.
2. The purchaser shall return any equipment or parts thereof to Ward-Beck Systems Inc. only after obtaining prior authorization and shipping instructions from the factory. (Ward-Beck Systems Inc. reserves the right to inspect or repair equipment on the purchaser's premises).
3. The purchaser assumes the obligation for all expenses in connection with the shipping and return of such goods, once authorization has been obtained.

This warranty does not cover items normally considered expendable, such as fuses and lamps.

This warranty does not cover damages caused by misuse, accident, neglect, unauthorized alteration, repair by unauthorized personnel, or damage caused by an act of God, war, or civil insurrection.

In no event shall Ward-Beck Systems Inc. be liable for consequential damages. Ward-Beck Systems Inc. shall have the rights to final determination as to the application of this warranty.

Ward-Beck Systems Inc. reserves the right, at any time and without notice, to make changes in its equipment, components, specifications or designs, as may be warranted by progress in state-of-the-art technology.

Ward-Beck Systems Inc. reserves the right to make design changes, additions to, and improvements in its products, without obligation to install such revisions in products previously manufactured.

The warranty set forth herein is in lieu of all other warranties expressed or implied, including the warranties of merchantability and fitness.

**WARD-BECK SYSTEMS INC.**  
**945 Middlefield Road, Unit 9, Toronto, Ontario M1V 5E1**  
**V 416 335 5999 F 416 335 5202 Toll-Free 800 771 2556**  
**Website: [www.ward-beck.com](http://www.ward-beck.com)**  
**E-Mail: [sales@ward-beck.com](mailto:sales@ward-beck.com)**