

Jot

Back-End Capstone Proposal

Tim A. Conner

Github: <https://github.com/TimAConner/Jot>

I want to create an app that streamlines note taking for abstract ideas, specifically ideas for stories. The app would automatically categorize the notes you are taking, using IBM Watson's Language Understanding API, and it would also allow you to manually select words to organize your notes by. The main goal is to have the quickest possible workflow in creating notes--this would be accomplished through the user only having to input their note. No name, no date, no category. The app would do the rest.

Basic functionality

This app will be a CRUD app that will allow users to add, view, update, and delete their notes. The primary functionality will be in using Watson to extract keywords, or let the user set keywords that are associated with each note. Along with these keywords, edit and creation dates are saved with each note. The keywords combined with dates allow users to search and sort their notes in useful ways, including looking at notes created / edited around the same time, searching by keyword. The stretch goal is using both of these data points to sort by date and keyword, allowing the user to see a week-by-week breakdown of their notes, organized by keywords used in that week.

Technologies to be used:

Node

Express

Body-parser

PostgreSQL

Passport

CSS3

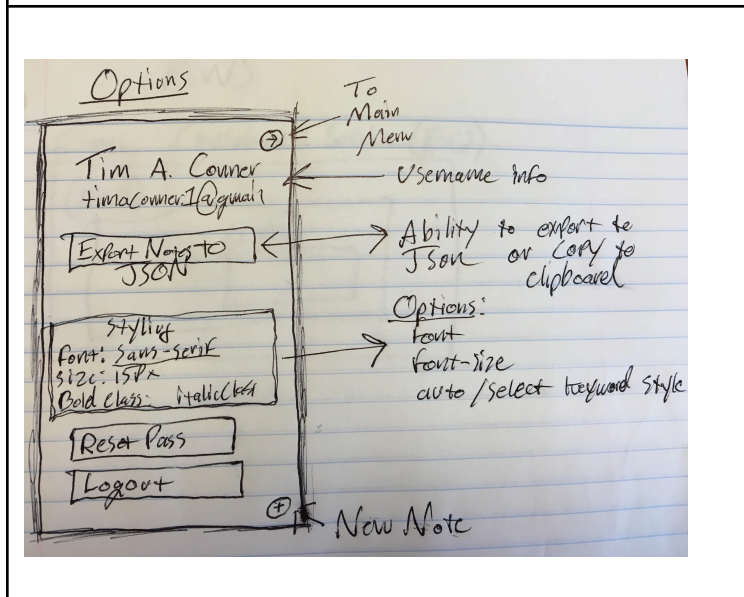
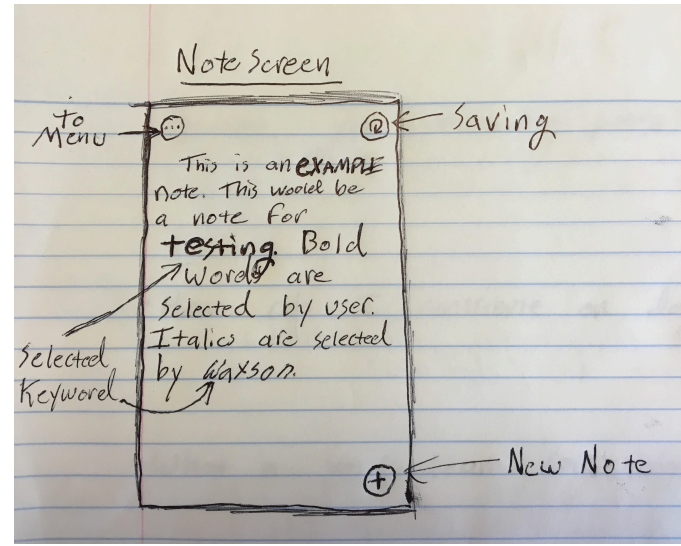
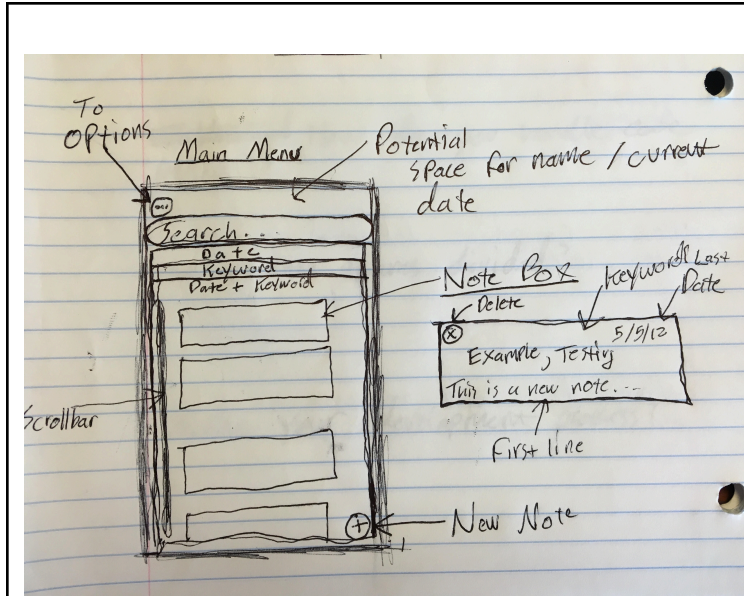
IBM Watson Language Understanding NPM Package

React

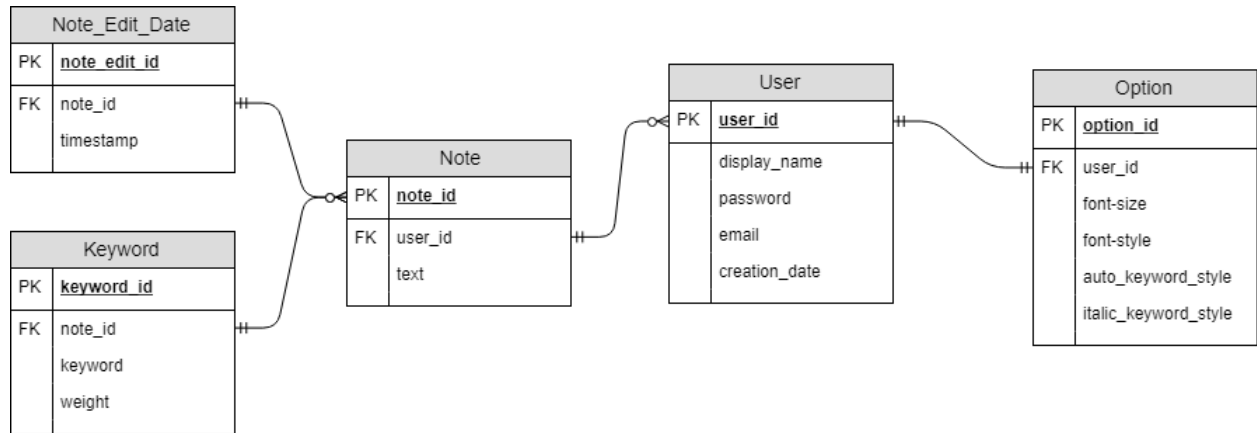
Redux

Sequelize

Wireframes



Draw.io ERD



*Add user selected / auto selected field to Keyword

*Remove weight.

*Changed font-size and font-style to font_size and font_style

*Changed Note_Edit_Date to Note_Date

*Changed italic_keyword_style to user_keyword_style

MVP Goals:

1. Notes

- a. Add A Note
 - i. Add associated Note_Edit_Date Entry
 - ii. Add associated Keyword entries
 - iii. Note is automatically saved as you type
 - iv. Keywords automatically generated as you type
- b. Edit A Note
 - i. Add associated Note_Edit_Date Entry
 - ii. Modify associated Keyword entries
- c. View Notes
 - i. User can view an individual note
 - ii. User can tap a keyword to select it
 - iii. User can tap a keyword to unselect it
 - iv. Watson auto selects keywords if no keyword is selected
- d. Search Notes
 - i. User can search notes by keyword / phrase
 1. User views notes sorted by keyword / phrase from A-Z
 - ii. User can search notes by date
 1. User views notes sorted by date, new to old
 - iii. User can sort by date and group by keyword
- e. If logged in, app defaults to an open note with textbox already selected and ready to type.

2. Users

- a. Create a new user
- b. Login

- i. Save mac address / remember that you are logged in some way
- c. Reset password?
 - i. Maybe user a security question
- d. Change note font size / font
 - i. User can modify their Option row in the Option table.

Stretch Goals:

1. User can change auto selected styling
2. User can change selected styling
3. Export all notes as JSON
4. Export all notes as plain text

API sources:

IBM Watson Natural Language and Understanding

<https://www.ibm.com/watson/services/natural-language-understanding/>

<https://www.npmjs.com/package/watson-developer-cloud>